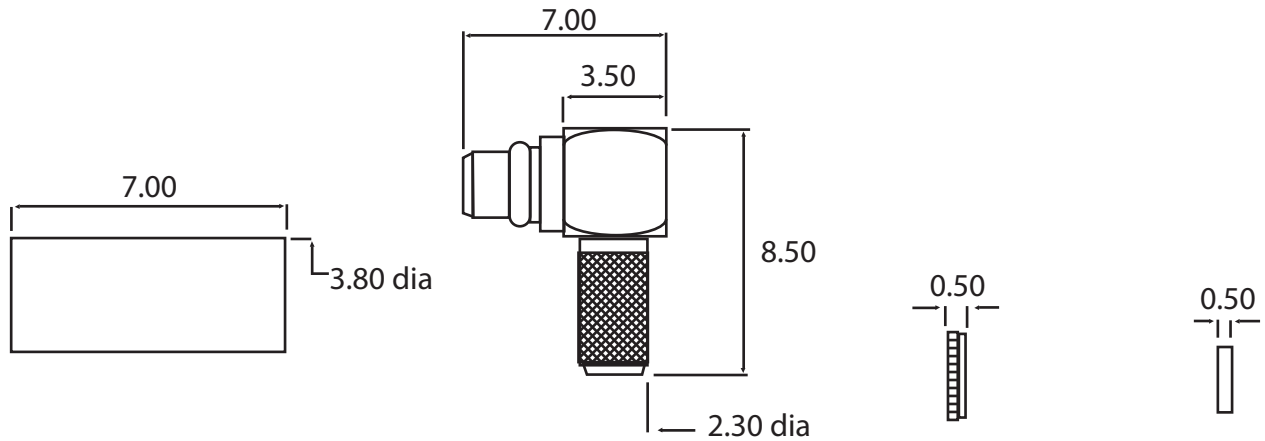


MMCX right angle crimp plug for RG174, RG188, RG316, GBC100

Part number: 310-102



| | |
|--------------------------------|---|
| Description | MMCX Crimp Right Angle Plug, Gold Plated |
| To Fit Cable Types | RG174, RG188, RG316, GBC100 |
| Fixing Method | Crimp |
| Body | Brass, Gold Plated |
| Dielectric | PTFE |
| End Cap | Brass, Gold Plated |
| Ferrule | Brass, Gold Plated |
| Pin | Brass, Gold Plated |
| Cable Retention | Equal to breaking strain of cable |
| Dielectric Withstanding | 500 Volts RMS Maximum |
| Durability | 500 mating cycles |
| Impedance | 50 ohms |
| Max. Frequency | 6 GHz |
| Temperature Range | -65 to +165 degrees C |
| Working Voltage | 170 Volts RMS Maximum |

