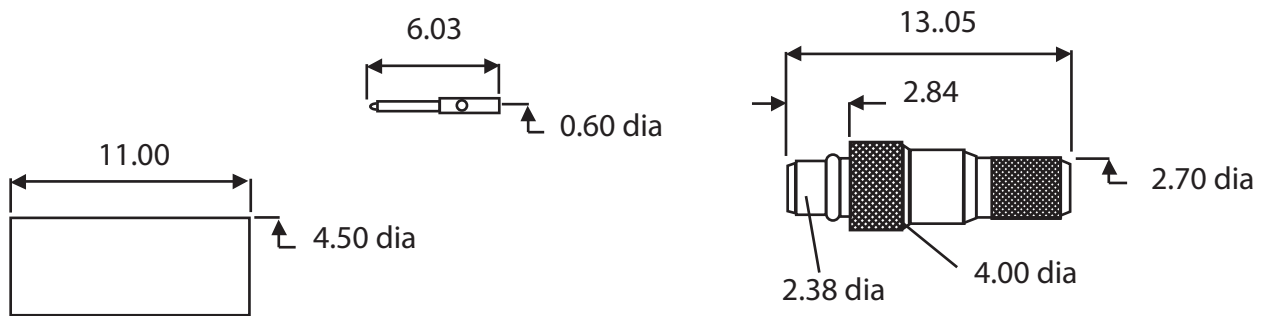


MMCX straight crimp plug for RD316

Part number: 310-104



Description	MMCX Crimp Plug, Gold Plated
To Fit Cable Types	RD316
Fixing Method	Crimp
Body	Brass, Gold Plated
Dielectric	PTFE
Ferrule	Brass, Gold Plated
Pin	Brass, Gold Plated
Cable Retention	Equal to breaking strain of cable
Dielectric Withstanding	500 Volts RMS Maximum
Durability	500 mating cycles
Impedance	50 ohms
Max. Frequency	6 GHz
Temperature Range	-65 to +165 degrees C
Working Voltage	170 Volts RMS Maximum

