

# GEM

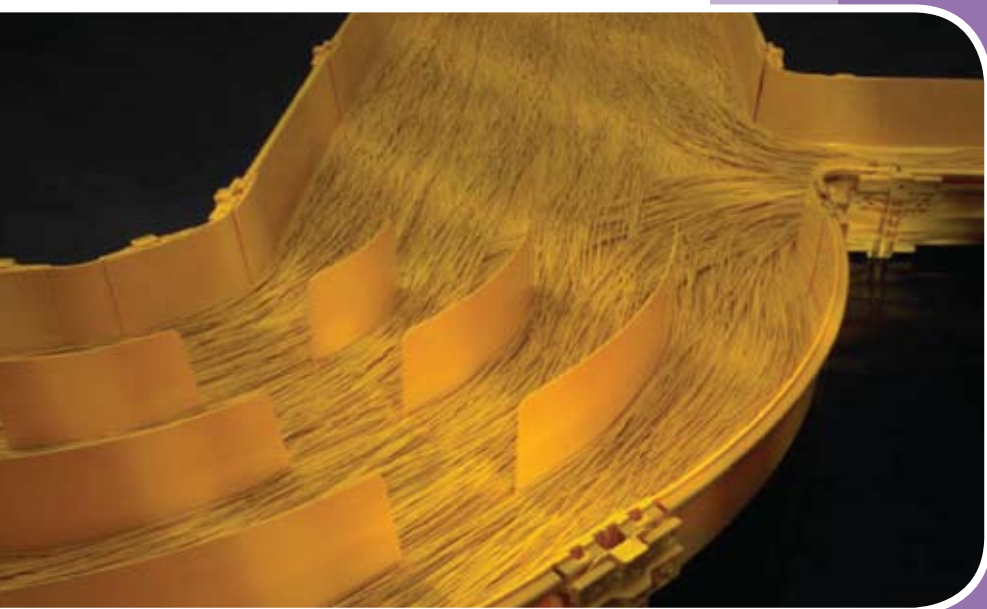
## CABLE SOLUTIONS



### FIBER MANAGEMENT SYSTEMS

Fiber Connectivity Solutions

2nd Edition



SMARTER  
GLOBAL  
CONNECTIONS



# Table of Contents



**Introduction** ..... 1  
 Innovative Products ..... 3  
 System Description ..... 4  
 Features and Benefits ..... 5

**Applications**  
 Combining System Parts ..... 6  
 Downspout Drop Options ..... 7  
 Express Exit™ Drop Options ..... 8  
 Trumpet Flare Options ..... 9  
 4x24" Island T ..... 10  
 Raceway Reconfigurations ..... 11-12  
 Supporting Overhead Systems ..... 13-14

**Patch Cord Densities**  
 Recommended Patch Cord Densities ..... 16  
 Things to Consider When Ordering ..... 17



# Fiber Management Systems

## Introduction



FiberGuide® Systems

### The Industry's Most Comprehensive Optical Raceway System

ADC's FiberGuide® fiber management systems offer the greatest breadth of optical raceway products in the industry. In response to customer requirements, ADC continues to innovate and improve FiberGuide systems, adding greater flexibility and driving down installation time to ensure a smooth deployment.

FiberGuide is a raceway system designed to protect and route fiber optic patch cords, multi-fiber cable assemblies and intrafacility fiber cable (IFC) to and from fiber splice enclosures, fiber distribution frames and fiber optic terminal devices. FiberGuide ensures a two-inch minimum bend radius is maintained throughout the system. Tool-less, Snap-Fit™ junctions, cover options and Plenum Express Exit™ drops significantly reduce the amount of time required for installation.

The FiberGuide system is a complete set of products designed and manufactured to ensure total off-frame protection and ease of use. Basic components include horizontal and vertical straight sections, horizontal and vertical elbows, downspouts, junctions and numerous support hardware and flex-tube kits.

Available in a variety of sizes:

**2x2** – Ideal for smaller installations or for vertical routing of a maximum of four hundred 2 mm fiber optic patch cords. All 2x2 FiberGuide products are shipped with covers.

**2x6** – Designed for height restricted environments, this robust system provides the same support and system flexibility of the traditional 4-inch-high system while saving 2 inches of overhead space. It features a maximum capacity of 1,200, 2 mm patch cords.

**4x4** – Features the maximum capacity to support 1,600, 2 mm patch cords. It has been engineered to allow straight sections to be self-supporting over a span of up to 1.83 m (6 feet).

**4x6** – Features the same benefits of the 4-inch system and a maximum trough capacity of 2,400, 2 mm patch cords.

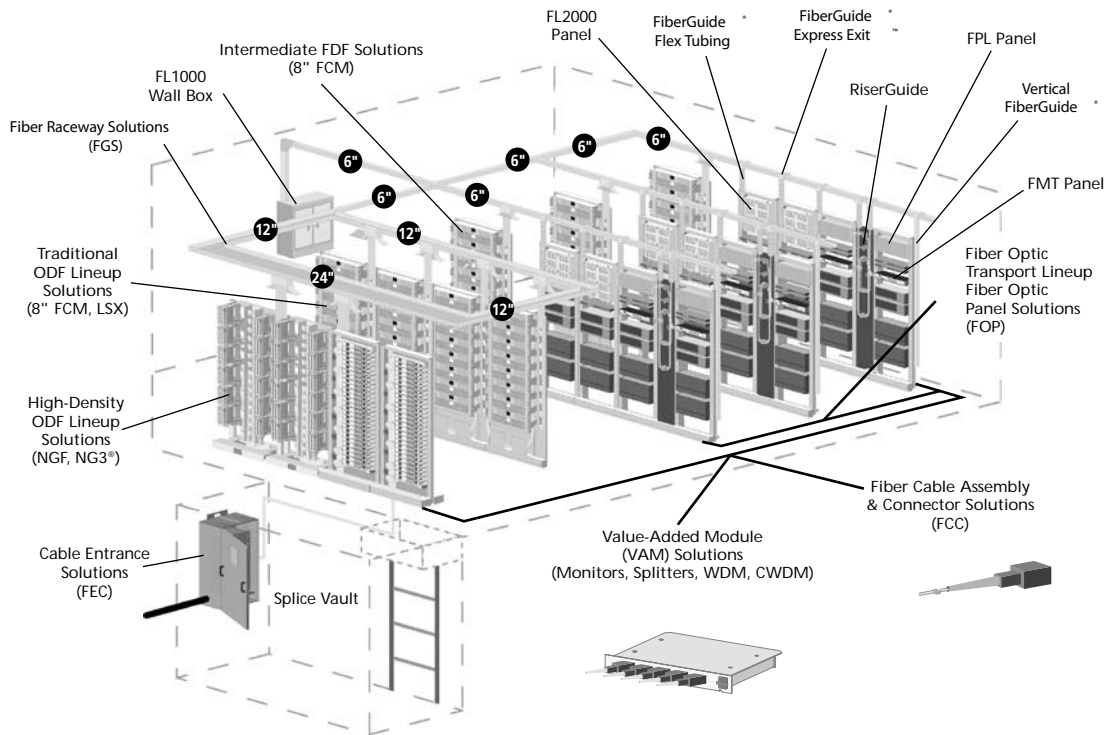
**4x12** – The 12-inch-wide trough has a maximum capacity to support nearly 5,000, 2 mm patch cords. Perfect for runs over fiber frame lineups and perimeter routes.

**4x24** – The 4x24-inch system is the ultimate raceway solution to securely route and protect patch cords over high-density optical distribution frames including ADC's Next Generation Frame (NGF) and Next Generation 3 Frame (NG3®). Designed for maximum capacity, this robust system provides the same support and flexibility as the traditional 4x12-inch system while doubling capacity.

See page 16 for patch cord density tables.



## Examples of FiberGuide® Integration



ADC continues to add innovative products to FiberGuide® fiber management systems to ensure they remain the most comprehensive solutions for all optical raceway requirements and applications. These products increase functionality and flexibility and are compatible with existing raceway components.

### Snap-Fit™ and Hinged Cover Options

To drive down valuable installation time, ADC provides tool-less Snap-Fit™ and hinged cover options. Featuring simple, durable molded hardware, these covers install in minutes and require no tools. The hinged cover option provides easy access, enabling installers and technicians to deploy the product quickly and easily. In addition, the covers do not need to be fully opened for maintenance.



**Hinged Cover System**

### Snap-Fit Junction

ADC's Snap-Fit Junction is the industry's first and only completely tool-less junction. No additional tools are needed for installation or removal. Quick and easy to install, the FiberGuide Snap-Fit Junction saves valuable time and money.



**Express Exit™ Family**

### Express Exits™

ADC features a number of innovative Express Exit™ options: Low profile, 2-inch and 4-inch options round out this innovative product line, designed to meet your most demanding network requirements. Plenum Express Exit systems are also available. By simply securing an Express Exit to the sidewall of a FiberGuide straight section, jumpers can be permanently or temporarily routed to the fiber optic terminal (FOT) equipment or fiber frames. No cutting is required. Positioning a drop with a member of the Express Exit family greatly simplifies installation, protects the integrity of existing fibers and increases the overall flexibility of the raceway system.



**Cut-in T**

### Raceway Reconfiguration Solutions

ADC offers two products to facilitate easy on-site raceway reconfigurations. Available for the 4x4, 4x6, 4x12 and 4x24\* systems, the cut-in "T" and the expandable straight section offer the required flexibility to optimize raceway systems in retrofit applications without jeopardizing the integrity of existing cables.

\*Expandable straight section not available for 4x24 system.



# Fiber Management Systems

## System Description



### FiberGuide® Materials Product Statement

The FiberGuide fiber management system is a UL-listed (E151158) general purpose fiber optic raceway system. All FiberGuide products are manufactured from flame-retardant materials. No FiberGuide system parts contain PVC. The table summarizes the fire-resistant properties of FiberGuide straight sections, molded parts and flex tube.

	Raw Material Meets UL Requirement	Finished Product Meets UL Requirement
<b>FiberGuide Straight Sections (All FiberGuide Systems)</b>	Flame rated: UL94V-0	UL94V-0 and UL2024
<b>FiberGuide Molded Fittings (All FiberGuide Systems)</b>	Flame rated: UL94V-0	UL94V-0 and UL2024
<b>FiberGuide Flex Tube (2")</b>	Flame rated: UL94V-0	UL2024
<b>FiberGuide Flex Tube (1")</b>	Flame rated: UL94V-0	UL2024
<b>FiberGuide Flex Tube (7/8")</b>	Flame rated: UL94V-2	UL2024

Note: FiberGuide flex tube complies with the National Electrical Code (NEC) Article 770-51 and Underwriters Laboratory UL2024 requirements for General Purpose Fiber Optic Raceways.



## Fiber Management Systems Features and Benefits



### Features and Benefits

#### Speed of Installation

FiberGuide® systems feature a variety of products that allow for quick and easy installation. Express Exit™ drops as well as tool-less products including Snap-Fit™ junctions, snap-on covers and new hinged cover options save valuable time for installers.

#### Speed of Deployment

The Express Exit system enables new drops to be added or removed quickly and easily. A drop can be added into a fully loaded raceway in seconds—without cutting.

#### Raceway Flexibility

FiberGuide features 38 support structures, over 75 fittings, multiple drop options and several other components to suit any application you create.

#### Fiber Protection

ADC's broadband expertise translates into maximum protection for your network. Two-inch minimum bend radius is maintained throughout the system regardless of the raceway size.

#### Strength and Durability

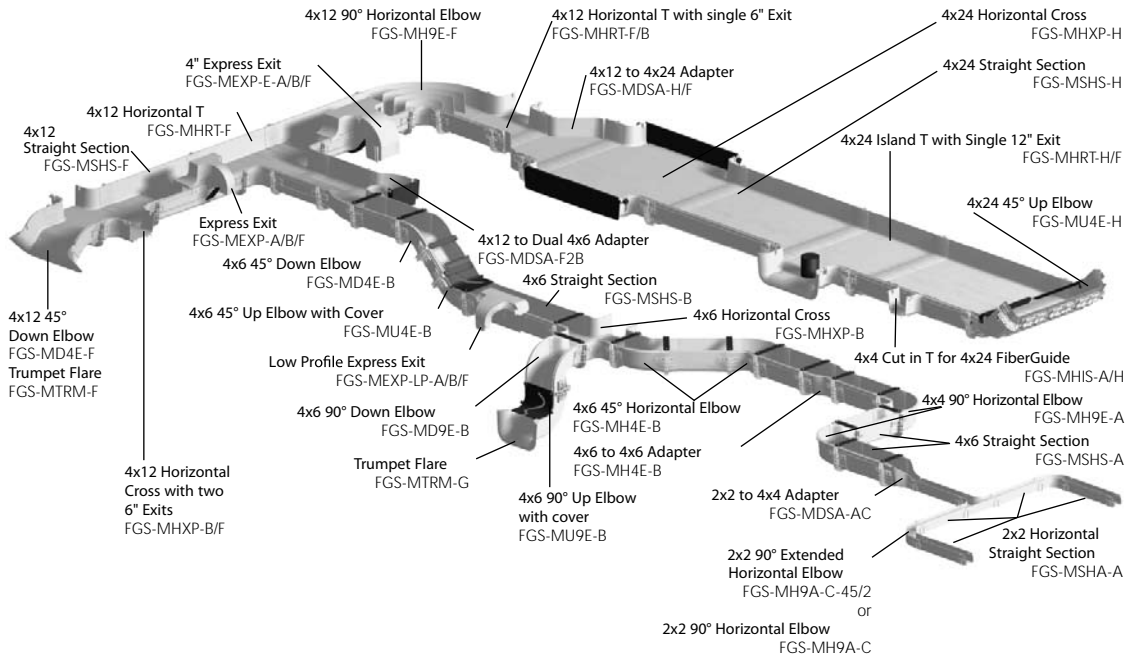
100% raceway reliability—stands up to any challenge.



# Applications Combining System Parts

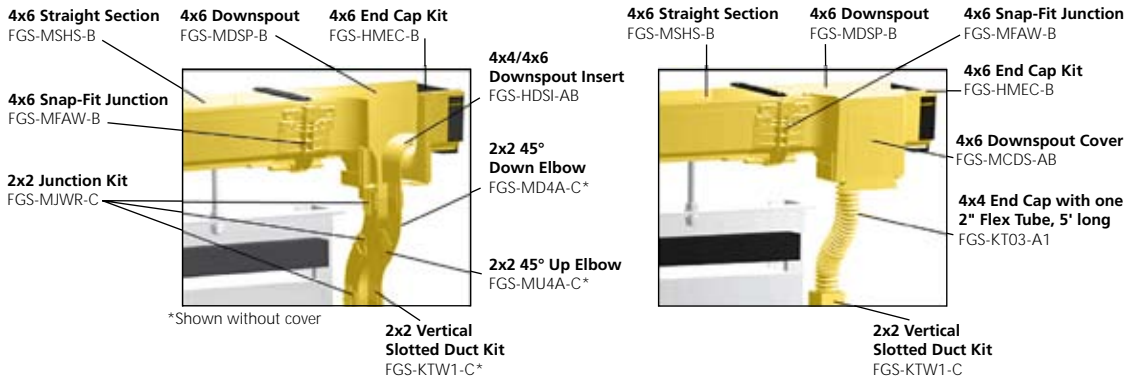


A combination of components from the various sized raceway systems typically comprise overhead FiberGuide® systems. Adapters are used to make the transition between sizes. An example of an overhead system that combines many of ADC's FiberGuide systems can be seen below.





A downspout drop is recommended over optical distribution frame lineups. The rigid 2-inch drop option and 2-inch flex tube option are two methods for directing fibers out of overhead FiberGuide® downspouts and into optical equipment bays. The rigid system is recommended because it offers excellent bend radius control and ensures a quality fiber backbone installation.



**2x2 Rigid Drop Option**



**2" Flex Tube Drop Option**

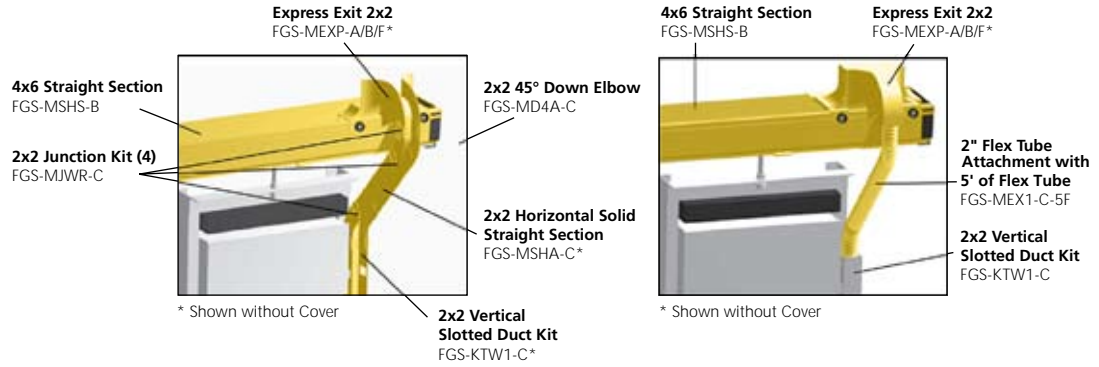


# Applications

## Express Exit™ Drop Options



An Express Exit is recommended over active equipment racks or cabinets. The rigid 2-inch drop option and 2-inch flex tube option are two methods for directing fibers out of overhead FiberGuide® downspouts and into optical equipment bays. The rigid system is recommended because it offers excellent bend radius control and ensures a quality fiber backbone installation.

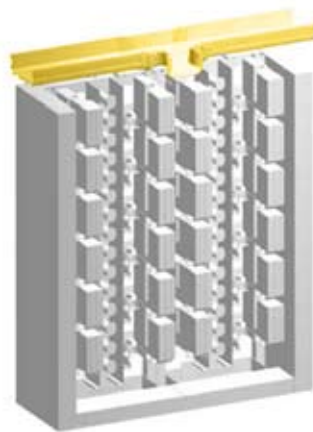
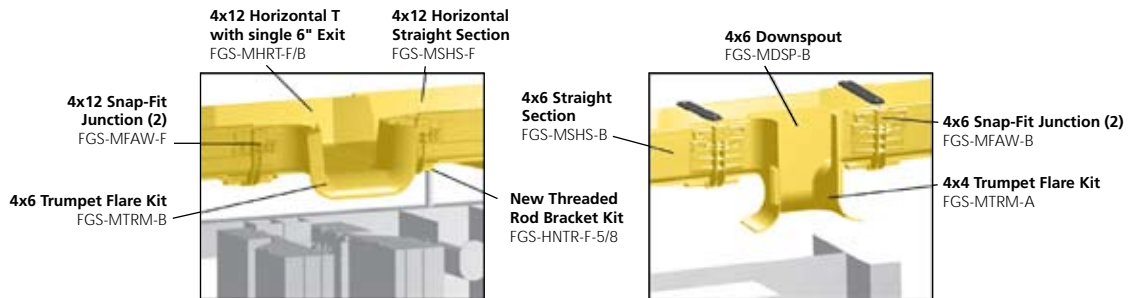


2x2 Rigid Drop Option



2" Flex Tube Drop Option

The trumpet flare is recommended at the bottom of a downspout when directing fibers into a fiber distribution bay. Trumpet flares provide bend radius protection and allow for a large number of fiber patch cords to transition into a fiber bay. A 4x4 trumpet flare is used for the 4x4 and 4x6 downspouts and a 4x6 trumpet flare is used for the 4x12 downspout.

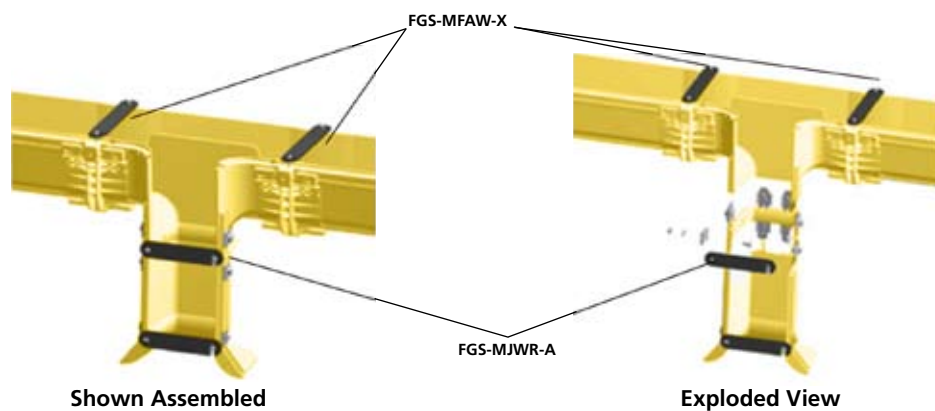


**Horizontal T and Trumpet Flare**



**Downspout with Trumpet Flare**

When attaching a straight section or fitting to the exit of a 4x4 or 4x6 downspout, the FGS-MJWR-A junction must be used. This junction is only required to connect the vertical part, the FGS-MFAW-X junction can be used to connect the horizontal parts.



**Shown Assembled**

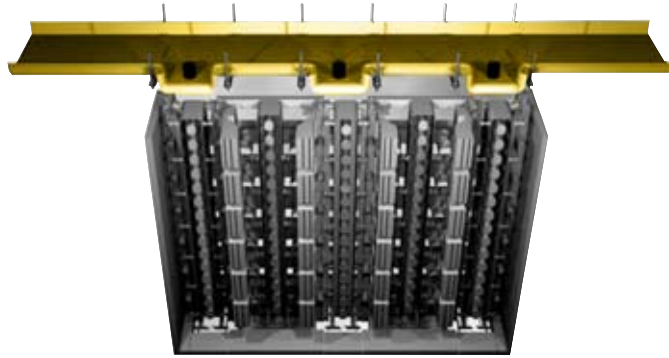
**Exploded View**



## Applications 4x24-Inch Island T



The 4x24 Island T with 12-inch exit is designed to be used over the NGF, NG3® or any high-density fiber frame. The 4x24 Island T, a horizontal T with spool and factory-installed trumpet flare, channels fiber directly into the vertical cableways below.



**4x24 Island T**  
(Shown with support brackets over an NGF frame.)



## Applications Raceway Reconfigurations



### Cut-in T, Fitting and Fixture

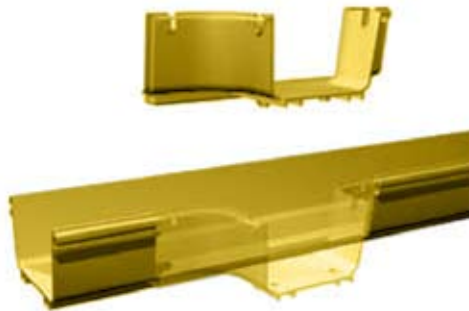
ADC's innovative cut-in T fitting and fixture enable on-site raceway modifications without jeopardizing the integrity of installed fibers. Available in 4-, 6-, and 12-inch widths, the cut-in T fitting can be retrofitted to any installed 4-, 6-, 12-, and 24-inch straight section using the cut-in T fixture and the hardware supplied with the fitting. No special tools are required.



Fixture attached to sidewall of raceway



Fixture protects cables during cutting of sidewall



Fitting fills gap left by removed sidewall



Supplied hardware secures fitting to raceway and completes installation

### Expandable Straight Sections

ADC's expandable straight section simplifies installation and enhances the overall flexibility of the raceway system. The innovative straight section also provides an access point for future reconfigurations. Available in 4-, 6-, and 12-inch widths, the expandable straight section reduces the installation time necessary to connect opposing runs and provides continuous support for patch cords.



Raceway system with gap between opposing runs



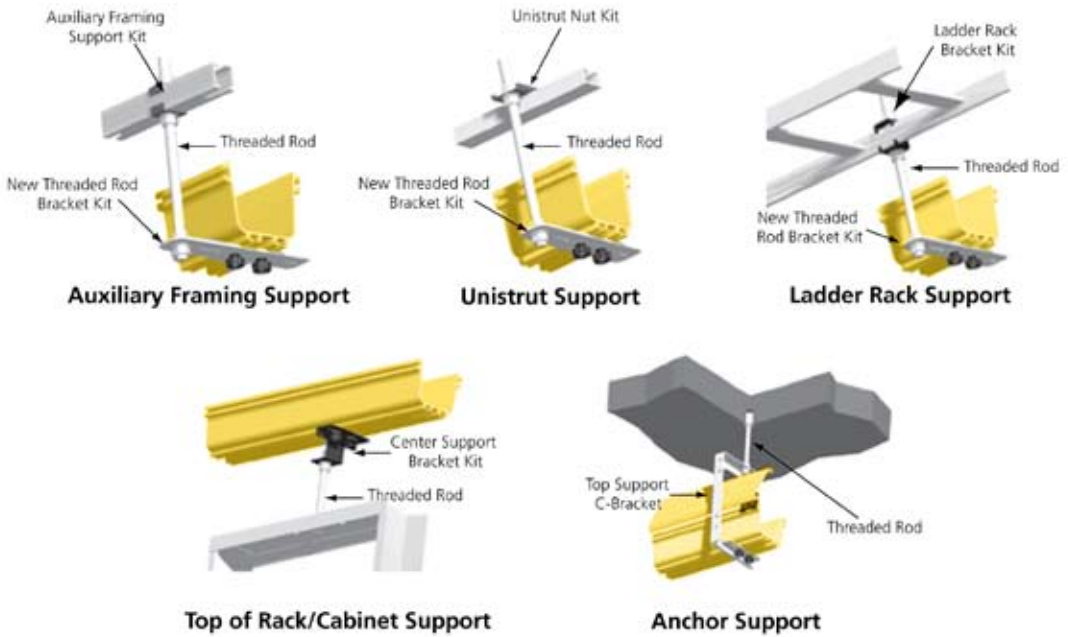
Expandable straight section extends to connect runs



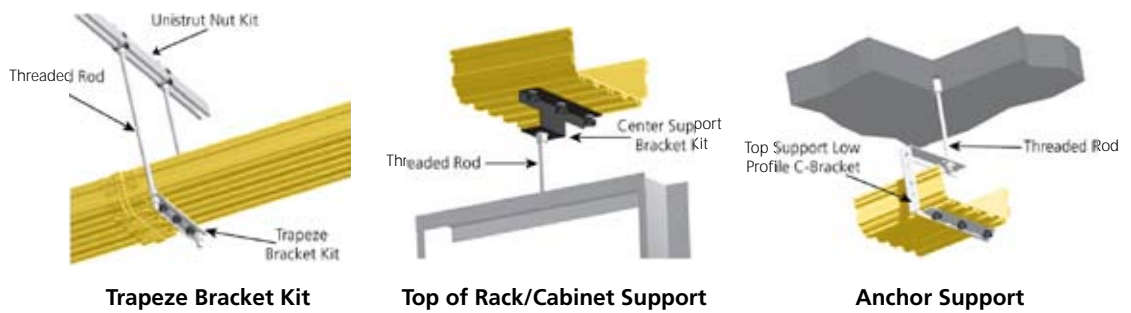
Completed installation

A variety of support kits are available for each FiberGuide® system. Whenever possible, FiberGuide support kits should be attached to existing hardware (cable racks, digital cableways, existing threaded rods or equipment racks).

### 2x6, 4x4, 4x6 Systems

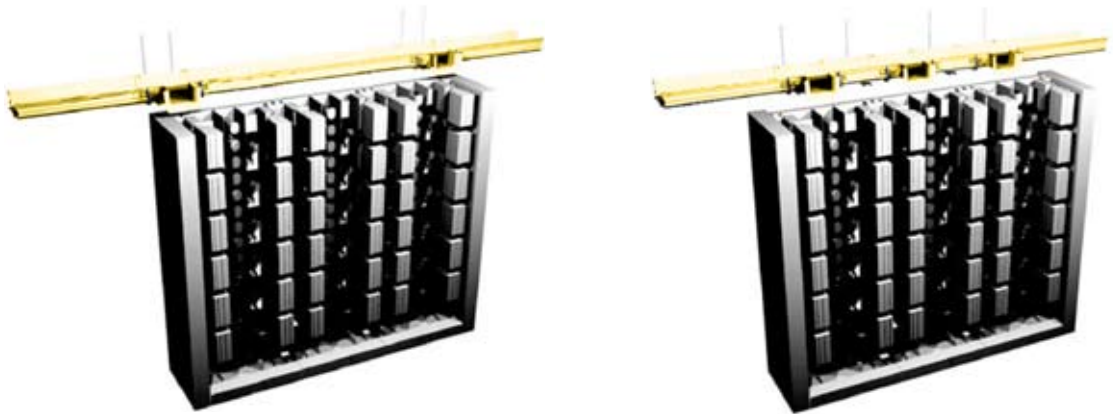


### 4x12 System



### 4x12 and 4x24 Systems

The straight sections on the 4x12 and 4x24 FiberGuide® system are exceptionally strong, making frequent placement of supports beneath them unnecessary. Whenever possible the supports should be placed under the fittings using the mounting bosses as shown (photos 1 and 2). This placement provides the strongest system and requires the least amount of support hardware to be used. Occasionally it is not possible to attach the support bracket to the mounting bosses on the fittings; in those instances the variable fitting support locator can be installed on the bottom of the fitting, allowing the support to be attached anywhere along the fitting bottom (photos 3, 4 and 5). When combining several straight sections, it is recommended that support brackets are installed on both sides of each junction.



Typical 4x12 system installation over a Next Generation Frame Line-up



Variable Fitting Support Locator



## Patch Cord Densities



Recommended and Maximum Patch Cord Densities..... 16  
Things to Consider when Ordering ..... 17



## Fiber Management Systems Recommended Patch Cord Densities



Recommended capacity takes into consideration random jumper placement into the FiberGuide® system. Maximum density refers to the maximum number of fiber jumpers in a given cross-section of a FiberGuide installation. The TracerLight® Connector Identification System is ADC's newest patch cord solution. It features slightly different dimensions than standard patch cords.

### Recommended/Maximum Density

1.7 mm Patch Cords (per in <sup>2</sup> )	2.0 mm Patch Cords (per in <sup>2</sup> )	3.0 mm Patch Cords (per in <sup>2</sup> )
120/142	90/102	40/44

### Trough Pileup Recommended/Maximum Density

	2-Inch	3-Inch	4-Inch
<b>4x24 System</b>			
1.7 mm	5760/6816	8640/10224	11520/13632
2.0 mm	4320/4869	6480/7344	8640/9792
3.0 mm	1920/2112	2880/3168	3840/4224
<b>4x12 System</b>			
1.7 mm	2880/3408	4320/5112	5760/6816
2.0 mm	2160/2448	3240/3672	4320/4896
3.0 mm	960/960	1440/1584	1920/2112
<b>4x6 System</b>			
1.7 mm	1440/1704	2160/2556	2880/3408
2.0 mm	1080/1224	1620/1836	2160/2448
3.0 mm	480/528	720/792	960/1056
<b>4x4 System</b>			
1.7 mm	960/1136	1440/1704	1920/2272
2.0 mm	720/816	1080/1224	1440/1632
3.0 mm	320/352	480/528	640/704
<b>2x6 System</b>			
1.7 mm	1440/1740	–	–
2.0 mm	1080/1224	–	–
3.0 mm	480/528	–	–
<b>2x2 System</b>			
1.7 mm	480/568	–	–
2.0 mm	360/408	–	–
3.0 mm	160/176	–	–

### TracerLight® Patch Cords— 65 Patch Cords per in<sup>2</sup>

	2-inch	3-inch	4-inch
<b>4x24 System</b>	3120	4680	6420
<b>4x12 System</b>	1560	2340	3120
<b>4x6 System</b>	780	1170	1560
<b>4x4 System</b>	520	780	1040
<b>2x6 System</b>	780	–	–
<b>2x2 System</b>	260	–	–



## Fiber Management System Things to Consider When Ordering



For a more complete guide to engineering and planning a FiberGuide® installation, see ADCP-90-166, 4th Edition, Issue 3, March 1996, Section 4, Engineering and Installation Section. For additional technical information see ADCP95-005.

For main aisle runs and/or installations above high density fiber frame equipment, consider the 12" and 24" FiberGuide product.

For tributary runs and/or installations above fiber optic terminals (FOTs), consider the 4" and 6" FiberGuide product.

For height restricted environments, consider the 2x6" FiberGuide system.

Consider the use of variable support locators for the 4x12" and 4x24" FiberGuide systems. The variable support locators provide additional mounting options for support brackets underneath larger fittings such as horizontal T's or elbows.

Consider the use of Express Exits™ rather than the traditional downspouts for bringing fiber out of a straight section run and into a fiber optic terminal (FOT) bay. The Express Exit installs without tools and does not require any cutting for installation.

Calculate the maximum potential amount of fiber in a given line-up to determine the proper sized FiberGuide over that line-up. Considerations should be given to pile-up densities (see page 16 for recommended pile-up densities) and redundant routing paths which will have an effect on proper FiberGuide sizing.

For ordering information on system and support kit accessories, consider the use of the retrofit fin kit for potentially high traffic areas on the 4x4" or 4x6" FiberGuide systems (fins come molded into certain fittings on the 2x6", 4x12" and 4x24" systems). The fin helps to spread the pile-up of jumpers efficiently across the width of a given FiberGuide system especially at horizontal turns and intersections.



## Contact Us



For further details, please visit our new online catalogue or call our sales team.

Gem Cable Solutions  
Unit 10, The Dencora Centre  
Campfield Road  
St. Albans  
Hertfordshire  
AL1 5HN

T. +44 (0) 1727 845 750

F. +44 (0) 1727 838 780

E. [adc@gemcable.co.uk](mailto:adc@gemcable.co.uk)

FiberGuide® Systems

