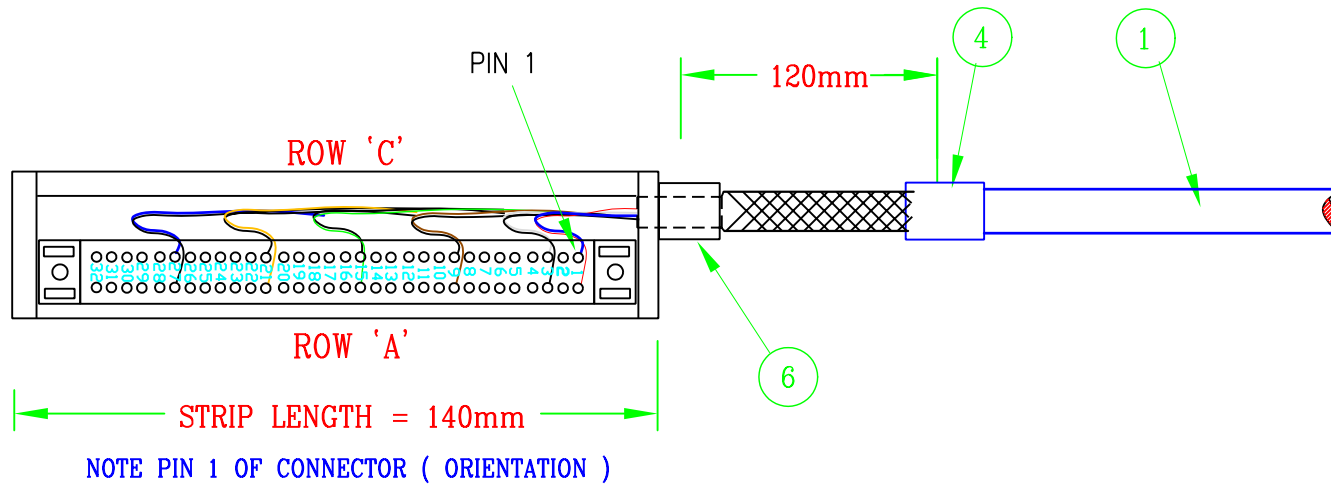


DM2 Sub Card (VF Tail) 2 x 32 Euroconnector Using 15 Pair Screened Cable 145-377



PARTS LIST

ITEM No	FCA	DESCRIPTION	QTY
1		KP Equipe SHIELDED 15 PAIR free issue	A/R
2		64 WAY EURO CONNECTOR free issue	1
3		HOOD FOR EURO CONNECTOR free issue	1
4		BLACK ADHESIVE HEAT SHRINK SLEEVE	1 x 30mm
5		BLACK TY-RAP SMALL	1
6		CABLE/BRAID CLAMP free issue	1

WIRE LIST FOR PLUGS A & B		
'C' ROW	PIN No	'A' ROW
BLUE/red	1	RED/blue
N/C	2	N/C
SLATE/white	3	WHITE/slate
N/C	4	N/C
N/C	5	N/C
N/C	6	N/C
N/C	7	N/C
N/C	8	N/C
BROWN/white	9	WHITE/brown
N/C	10	N/C
N/C	11	N/C
N/C	12	N/C
N/C	13	N/C
N/C	14	N/C
GREEN/white	15	WHITE/green
N/C	16	N/C
N/C	17	N/C
N/C	18	N/C
N/C	19	N/C
N/C	20	N/C
ORANGE/white	21	WHITE/orange
N/C	22	N/C
N/C	23	N/C
N/C	24	N/C
N/C	25	N/C
N/C	26	N/C
BLUE/white	27	WHITE/blue
N/C	28	N/C
N/C	29	N/C
N/C	30	N/C
N/C	31	N/C
N/C	32	N/C