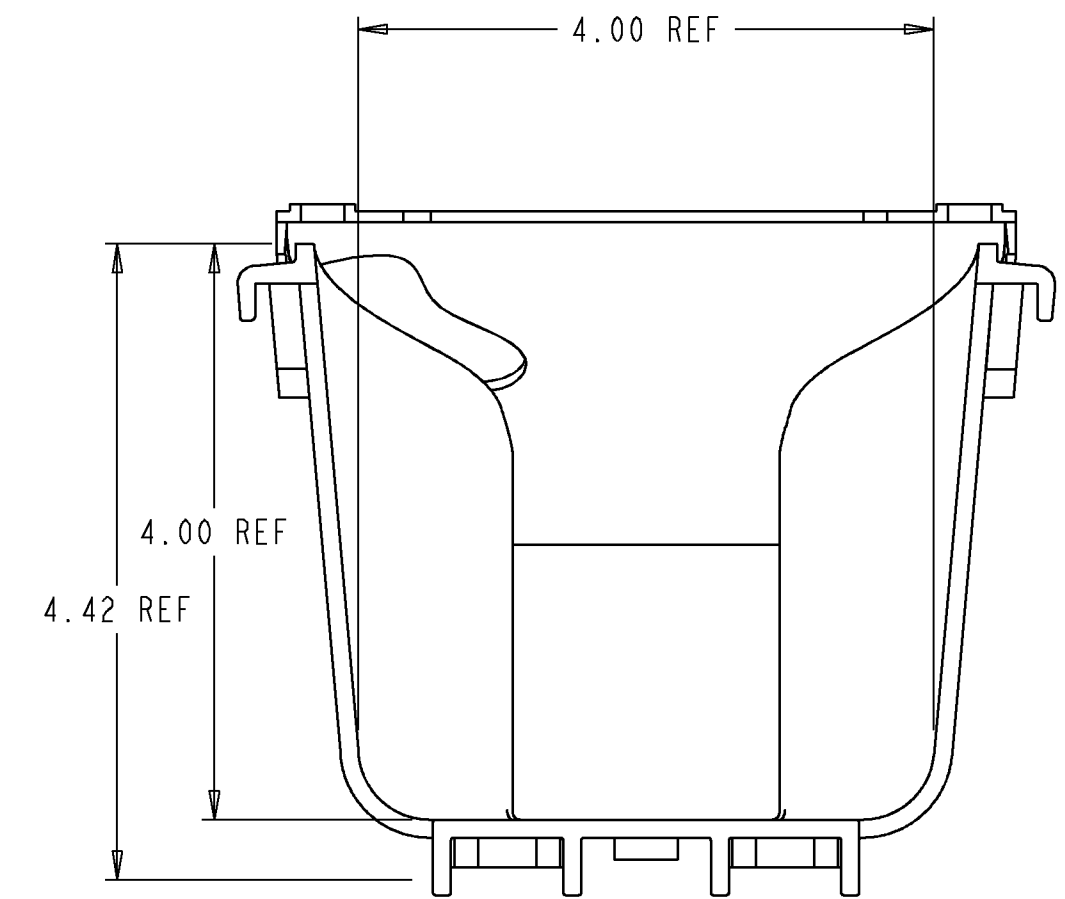
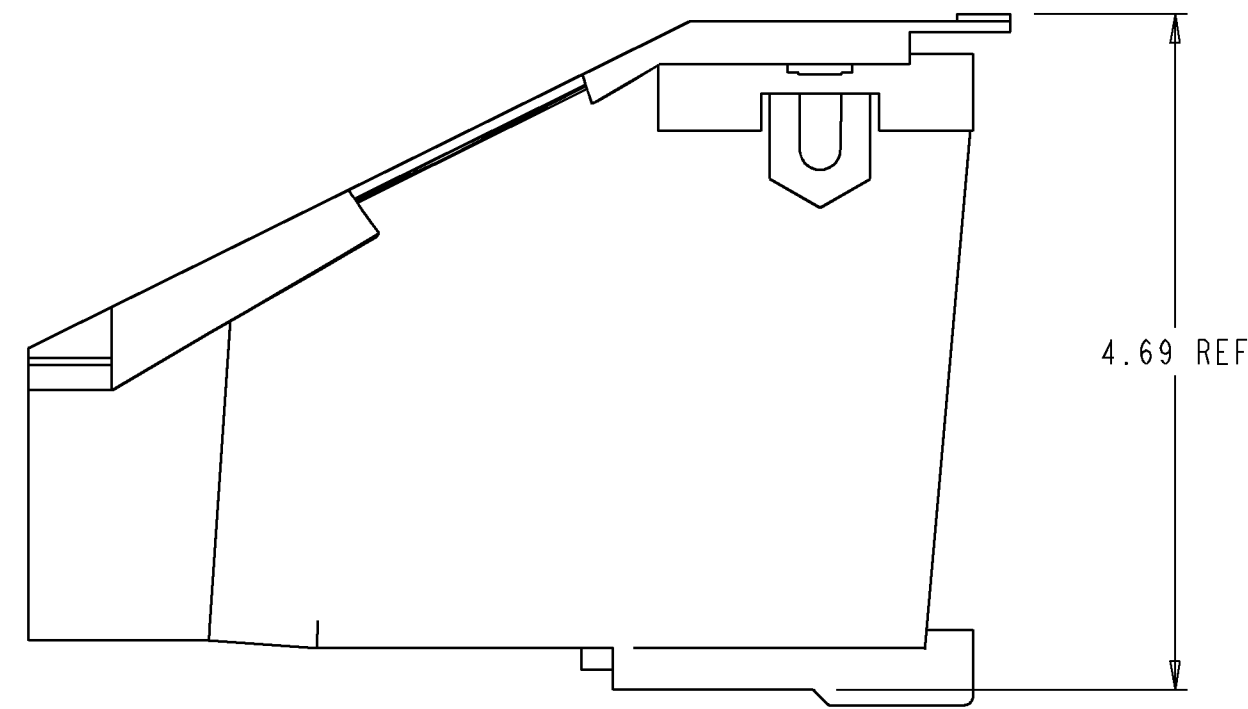
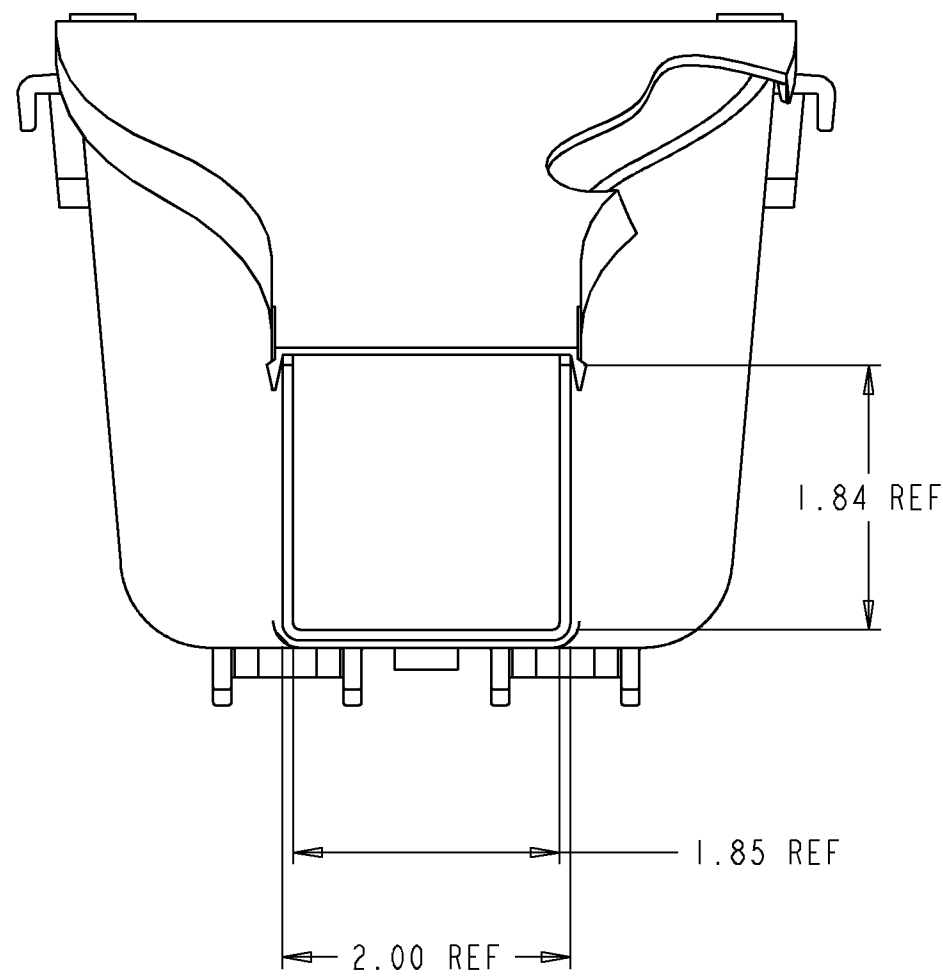
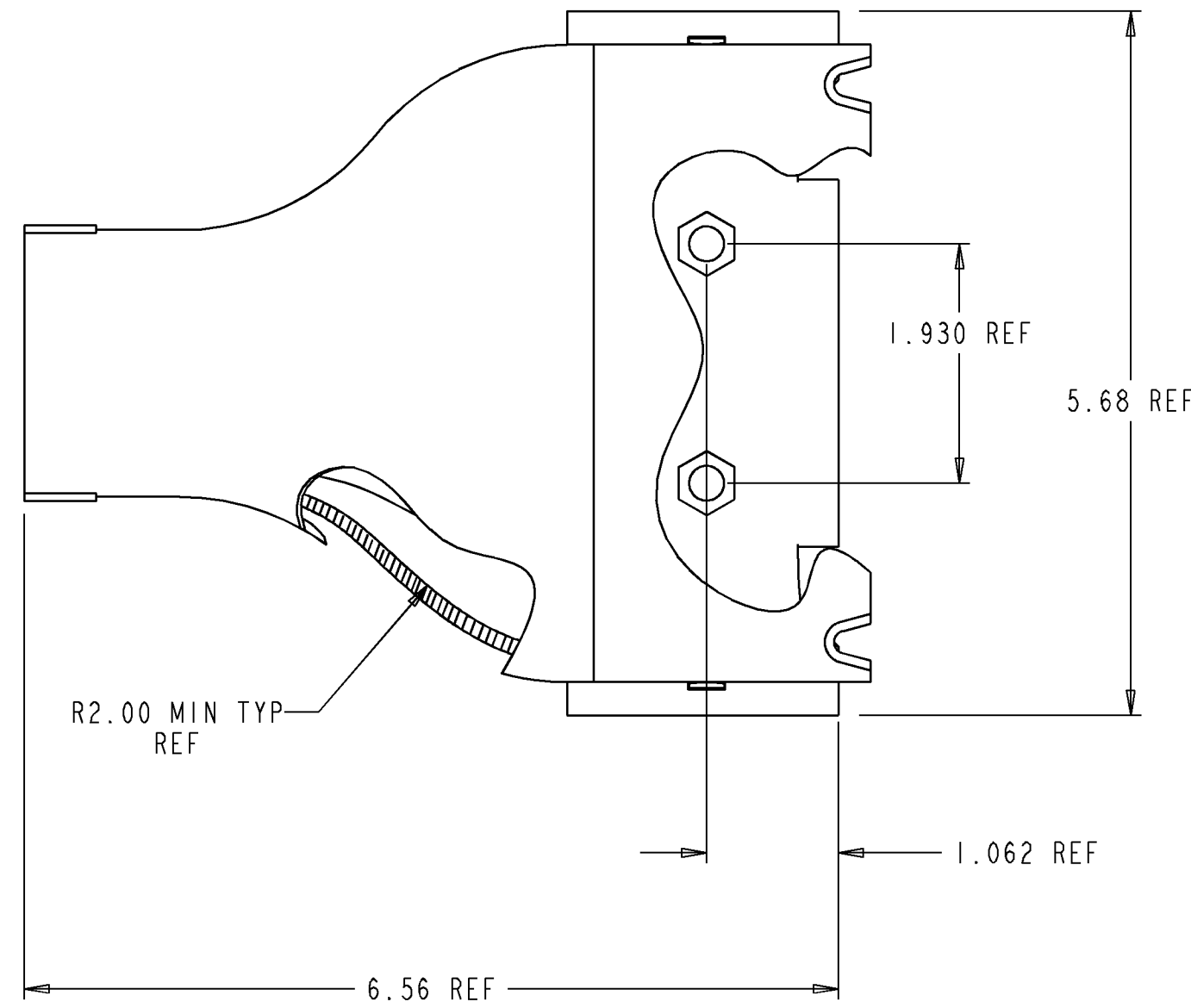
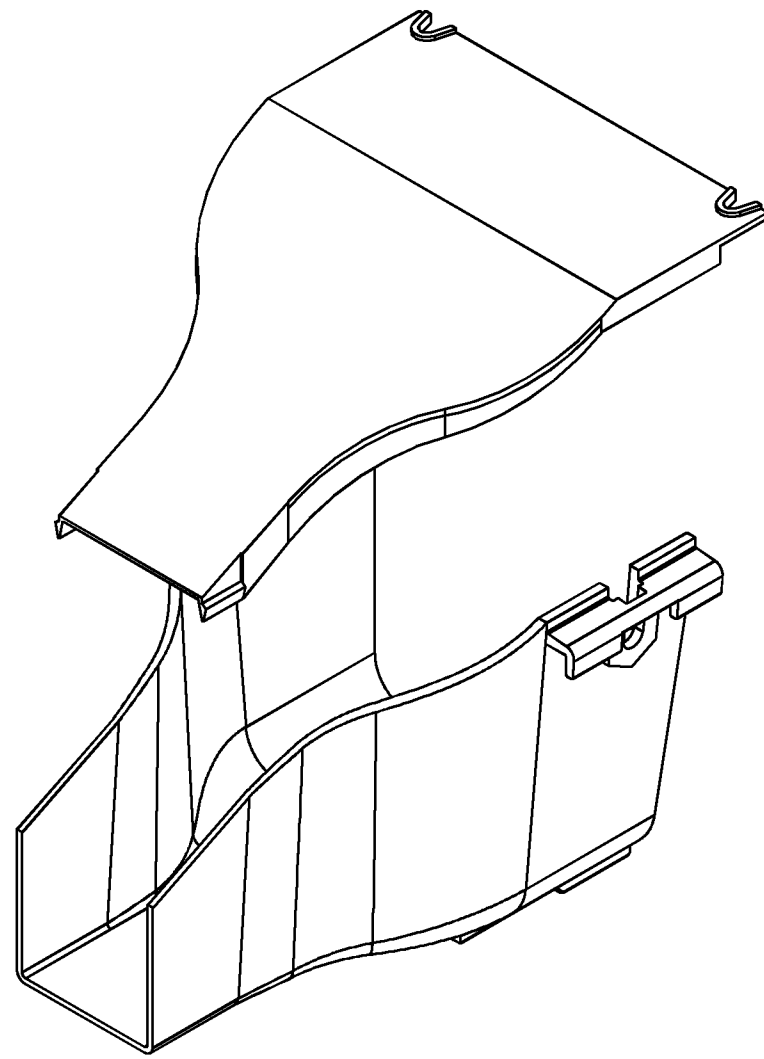


| REV | MCO | DWN | DATE |
|-----|----------|-----|-----------|
| A | 20000132 | TH | 5/28/97 |
| B | 20239114 | AED | 02-MAY-08 |



NOTES:

1. MATERIAL IS SELF EXTINGUISHING WITH A UL 94 RATING OF V-0.



INFORMATION ON THIS DOCUMENT IS PROPRIETARY TO ADC AND SHALL NOT BE USED, COPIED, REPRODUCED, OR DISCLOSED IN WHOLE OR IN PART WITHOUT WRITTEN CONSENT OF ADC.

ALL DIMS AND TOLERANCES ARE INCHES UNLESS OTHERWISE SPECIFIED
 .XX:±N/A
 .XXX:±N/A
 ANGULAR:±N/A

DO NOT SCALE DRAWING

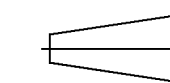
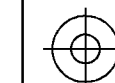
TITLE ADAPTER, 4 TO 2
 INSTALLATION DWG

C DRAWING NUMBER
 SIZE 4-40001-8047

ENGR: T. HAATAJA
 DWN: T. HAATAJA

SHT. 1 OF 1

| CATALOG NO. | COLOR |
|--------------|--------|
| FGS-MDSA-AC | YELLOW |
| FGSO-MDSA-AC | ORANGE |
| FGSB-MDSA-AC | BLACK |



DIMENSIONS IN INCHES
 THIRD ANGLE PROJECTION