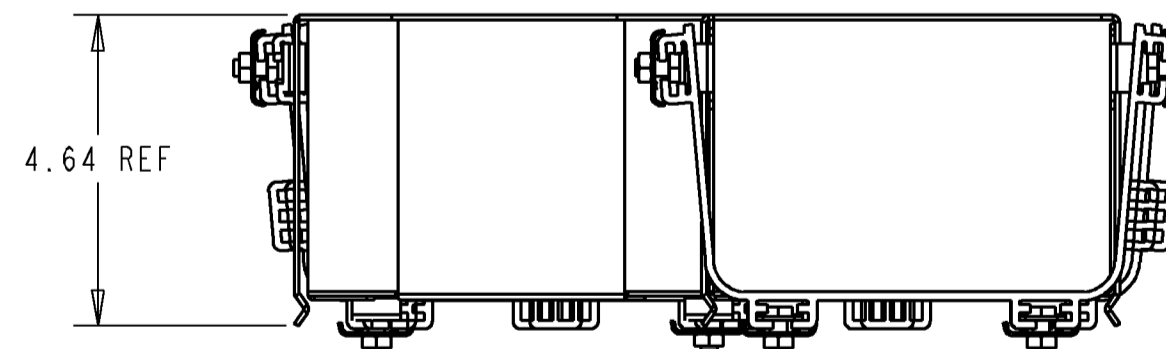
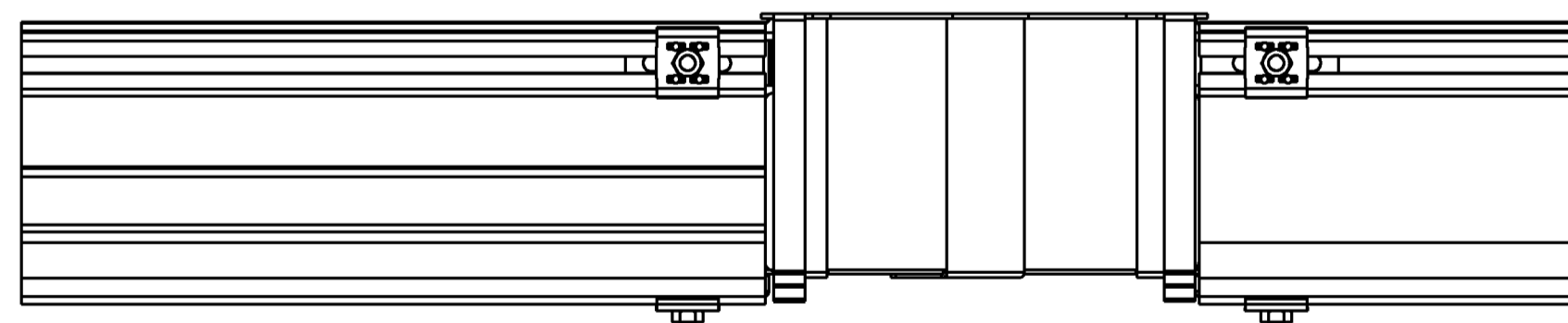
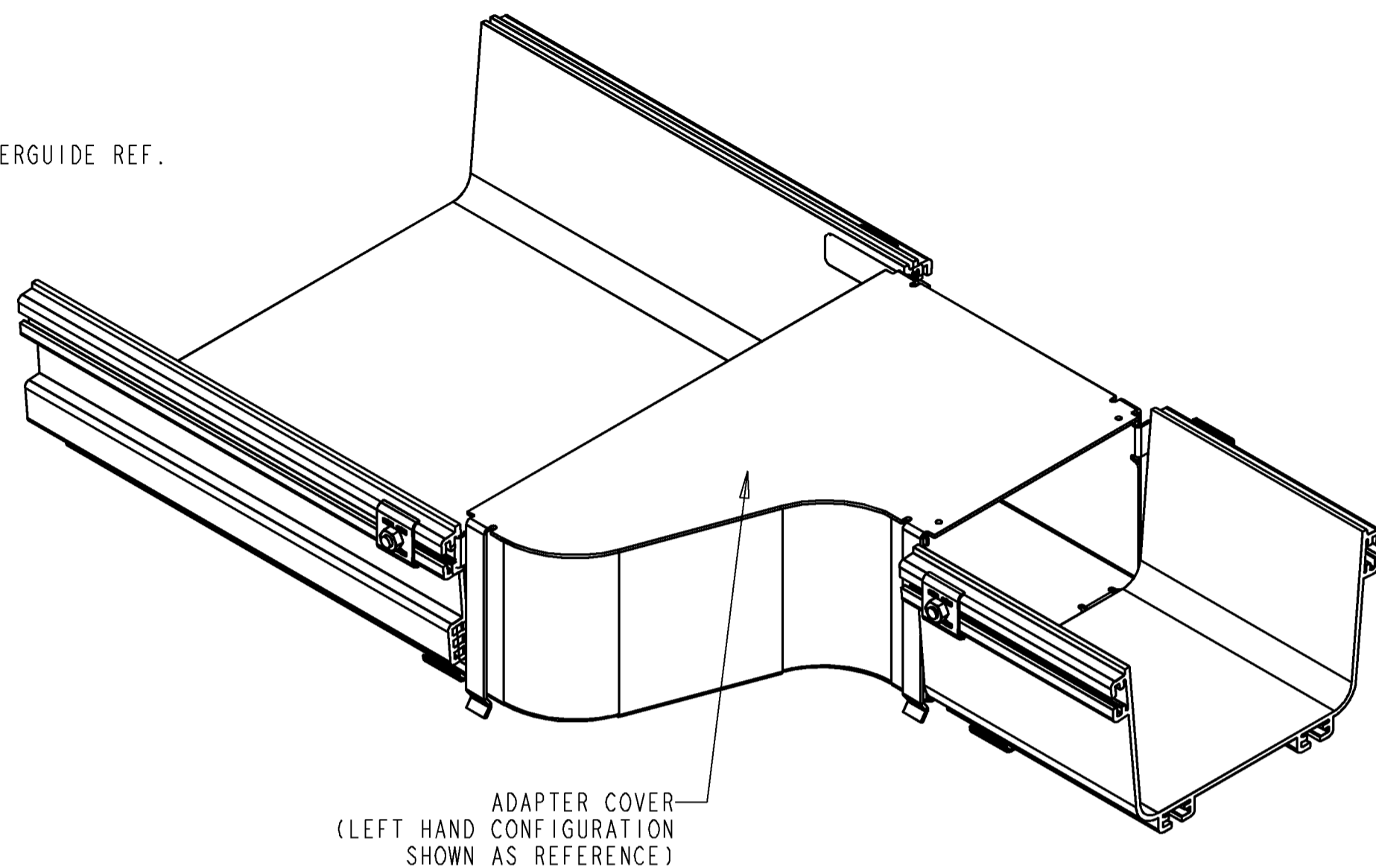
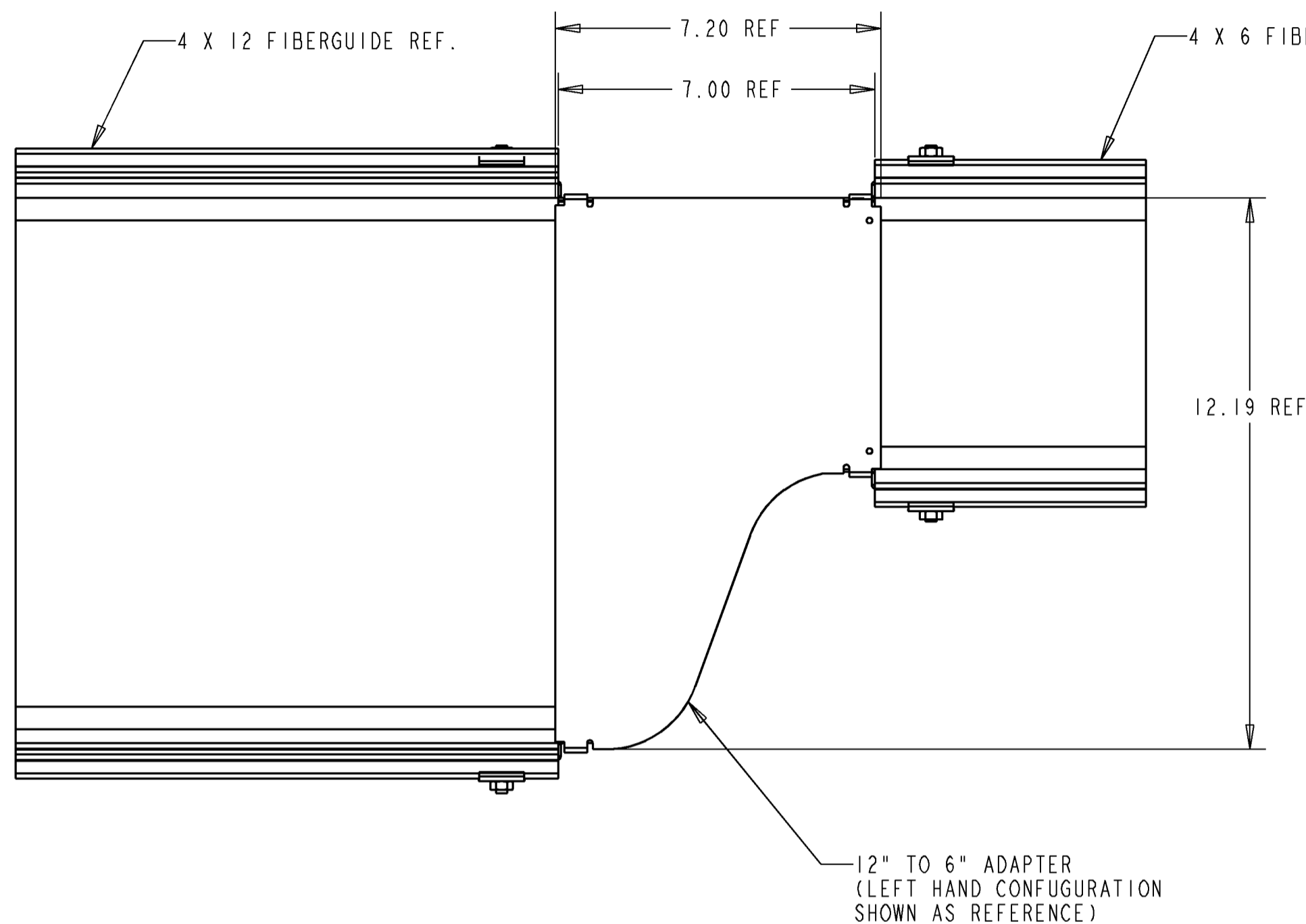


REV	ECO	DWN	DATE
A	20078191	CDZ	09-JAN-01
-	-----	---	-----



NOTES:

- PARTS INCLUDED WITH KIT ARE AS FOLLOWS:  
(1) SNAP-ON COVER
- TO ASSEMBLE: SNAP COVER ONTO ASSEMBLED ADAPTER.

FGS-VDSA-FB-R	6" EXIT RIGHT	BLACK
FGS-VDSA-FB-L	6" EXIT LEFT	BLACK
CATALOG NUMBER	CONFIGURATION	COLOR



INFORMATION ON THIS DOCUMENT IS PROPRIETARY TO ADC AND SHALL NOT BE USED, COPIED, REPRODUCED OR DISCLOSED IN WHOLE OR IN PART WITHOUT WRITTEN CONSENT OF ADC.		TITLE 12"-6" SIDE IN LINE COVER (INSTL DRW)	
TOLERANCE UNLESS OTHERWISE SPECIFIED	.XX: ±.02 .XXX: ±.010 ANGULAR: ±2°	C SIZE	DRAWING NUMBER 1151085
THIRD ANGLE PROJECTION	DO NOT SCALE DRAWING	ENGR: KEVIN HRUBY DWN: CRAIG ZELASKO	A REV
			SHT. 1 OF 1