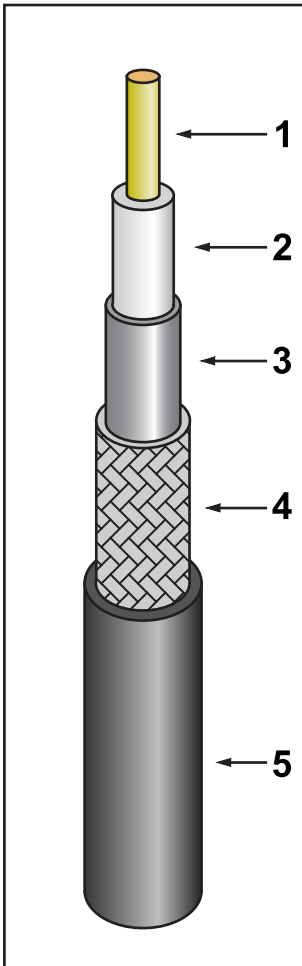


GBC100 Low Loss Coax Cable

LMR100®Direct Equivalent Cable

201-002



- Jumper Assemblies in Wireless Communications Systems
- Short Antenna Feeder Runs
- Any application (e.g. WLL, GPS, LMR, WLAN, WISP, WiMax, SCADA, Mobile Antennas) requiring an easily routed low loss RF cable

Construction Specifications		
1 Inner Conductor	Solid BCCS	0.46mm
2 Dielectric	Solid Polyethylene	1.52mm
3 Outer Conductor	Aluminium tape	1.65mm
4 Overall Braid	Tinned Copper	2.11mm
5 Jacket	PVC	2.79mm

Electrical Specifications	
1 Impedance	50 Ω
2 Capacitance	30.8pF/ft(±2)
3 Velocity of Propagation	66%
4 Peak power	0.6(kW)
5 Voltage withstand	500 (volts DC)

Environmental Specifications	
1 Bending Radius Static	6.4mm
2 Bending Radius Repeated	24.4mm
3 Weight	0.014Kg/m



LSZH
Version
Also
Available

Frequency (MHz)	50	150	220	450	900	1500	1800	2000	2500	5800
Attenuation dB/100m	16.7	29.4	35.8	51.9	74.9	98.7	109.0	115.5	130.6	210.3

Connectors*				
				
N Type Crimp Plug	TNC Crimp Plug	SMA Crimp Plug	N Type Clamp Plug	N Type Clamp Socket

*Only a Selection of Connectors Shown, More Available From Stock

**We Manufacture Your
Cable Assemblies
To Your Spec**



Although GEM Cable Solutions makes every reasonable effort to ensure their accuracy at the time of this publication, information and specifications described herein are subject to error or omission and to change without notice, and the listing of such information and specifications does not ensure product availability.