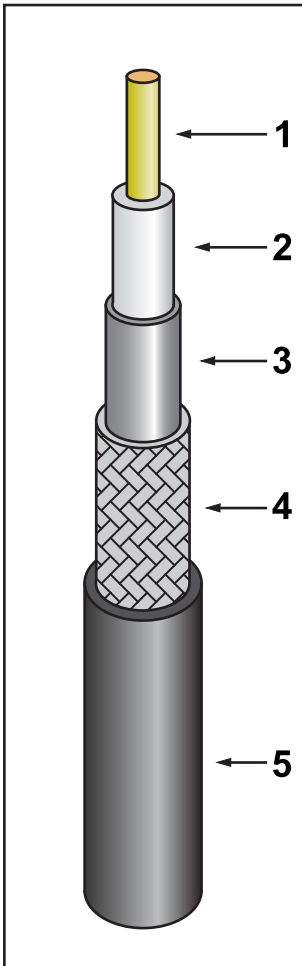


## GBC100 LSZH Coax Cable LMR100FR® Direct Equivalent Cable

201-004



- Jumper Assemblies in Wireless Communications Systems
- Short Antenna Feeder Runs
- Any application (e.g. WLL, GPS, LMR, WLAN, WISP, WiMax, SCADA, Mobile Antennas) requiring an easily routed low loss RF cable

Construction Specifications		
1 Inner Conductor	Bare Copper Clad Aluminium	0.46mm
2 Dielectric	Physical Foam Polyethylene	1.52mm
3 Outer Conductor	Bonded Aluminium Foil	1.65mm
4 Overall Braid	Tinned Copper	2.11mm
5 Jacket	Low Smoke Halogen Free	2.79mm

Electrical Specifications	
1 Impedance	50 Ω
2 Capacitance	101.1 pF/M(30.8pF/ft)
3 Velocity of Propagation	66%
4 Voltage Withstand	500 VDC
5 Max Operating Frequency	6.0 GHz

Environmental Specifications	
1 Bending Radius Static	6.4mm (0.25")
2 Bending Radius Repeated	25.4mm (1.0")
3 Weight	14Kg/Km



PE  
Version  
Also  
Available

Frequency (MHz)	150	220	450	900	1500	1800	2000	2500	3000	5800
Attenuation dB/100m	29.4	35.8	51.9	74.9	98.7	109.0	115.5	130.6	144.6	210.3
Avg. Power kW	0.1	0.08	0.057	0.039	0.029	0.027	0.025	0.022	0.02	0.013

Connectors*				
				
N Type Crimp Plug	TNC Crimp Plug	SMA Crimp Plug	N Type Clamp Plug	N Type Clamp Socket

\*Only a Selection of Connectors Shown, More Available From Stock

**We Manufacture Your  
Cable Assemblies  
To Your Spec**



Although GEM Cable Solutions makes every reasonable effort to ensure their accuracy at the time of this publication, information and specifications described herein are subject to error or omission and to change without notice, and the listing of such information and specifications does not ensure product availability.