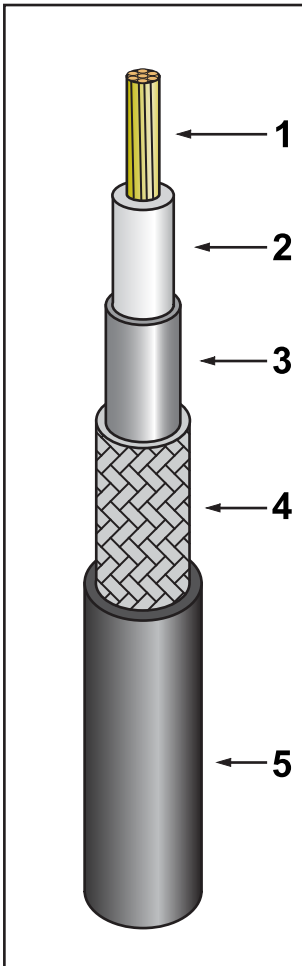


GBC400 UltraFlex Low Loss Coax Cable

LMR400® UltraFlex Equivalent Cable

201-408



- UltraFlex has a stranded center conductor and a Thermoplastic Elastomer Jacket designed for multiple bending and flexing.
- Jumper Assemblies in Wireless Communications Systems
- Short Antenna Feeder Runs
- Any application (e.g. WLL, GPS, LMR, WLAN, WISP, WiMax, SCADA,

Construction Specifications		
1 Inner Conductor	Stranded Bare Copper	2.74mm
2 Dielectric	Physical Foam Polyethylene	7.24mm
3 Outer Conductor	Bonded Aluminium Foil	7.39mm
4 Overall Braid	Tinned Copper	8.13mm
5 Jacket	Black Thermoplastic Elastomer	10.29mm

Electrical Specifications	
1 Impedance	50 Ω
2 Capacitance	78.4 pF/M (23.9pF/ft)
3 Velocity of Propagation	85%
4 Voltage Withstand	2500 VDC
5 Max Operating Frequency	11.0 GHz

Environmental Specifications	
1 Bending Radius Static	25mm (1.0")
2 Bending Radius Repeated	103mm (4.0")
3 Weight	100Kg/Km



LSZH
Version
Also
Available

Frequency (MHz)	150	220	450	900	1500	1800	2000	2500	3000	5800
Attenuation dB/100m	6.1	7.4	10.7	15.4	20.2	22.3	23.6	26.6	29.7	42.6
Avg. Power kW	1.47	1.20	0.83	0.58	0.44	0.40	0.37	0.33	0.31	0.28

Connectors*				
				
N Type Crimp Plug	TNC Crimp Plug	SMA Crimp Plug	N Type Clamp Plug	N Type Clamp Socket

*Only A Selection of Connectors Shown, More Available From Stock

**We Manufacture Your
Cable Assemblies
To Your Spec**



Although GEM Cable Solutions makes every reasonable effort to ensure their accuracy at the time of this publication, information and specifications described herein are subject to error or omission and to change without notice, and the listing of such information and specifications does not ensure product availability.