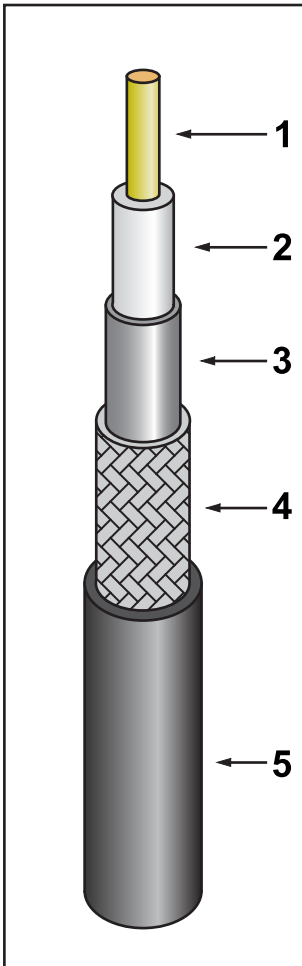


GBC600 LSZH Low Loss Coax Cable LMR600® Direct Equivalent Cable

201-605



- Jumper Assemblies in Wireless Communications Systems
 - Short Antenna Feeder Runs
 - Any application (e.g. WLL, GPS, LMR, WLAN, WISP, WiMax, SCADA, Mobile Antennas) requiring an easily routed low loss RF cable
- Low Smoke: IEC 61034-2, Halogen Free: IEC 60754-1&2, Flame Retardant: IEC 60332-3-24C

Construction Specifications		
1 Inner Conductor	Bare Copper Clad Aluminium	4.47mm
2 Dielectric	Physical Foam Polyethylene	11.56mm
3 Outer Conductor	Bonded Aluminium Foil	11.71mm
4 Overall Braid	Tinned Copper	12.45mm
5 Jacket	LSZH	14.99mm

Electrical Specifications	
1 Impedance	50 Ω
2 Capacitance	76.6pF/M (23.4pF/ft)
3 Velocity of Propagation	87%
4 Voltage Withstand	4000 VDC
5 Max Operating Frequency	10.3 GHz

Environmental Specifications	
1 Bending Radius Static	38.1mm (1.50")
2 Bending Radius Repeated	152.4mm (6.0")
3 Weight	200Kg/Km



PE
Version
Also
Available

Frequency (MHz)	150	220	450	900	1500	1800	2000	2500	3000	5800
Attenuation dB/100m	3.2	3.9	5.6	8.2	10.9	12.1	12.8	14.5	16.1	23.8
Avg. Power kW	2.41	1.97	1.35	0.93	0.70	0.63	0.59	0.52	0.47	0.32

Connectors*				
				
N Type Crimp Plug	TNC Crimp Plug	SMA Crimp Plug	N Type Clamp Plug	N Type Clamp Socket

*Only A Selection of Connectors Shown, More Available From Stock

**We Manufacture Your
Cable Assemblies
To Your Spec**



Although GEM Cable Solutions makes every reasonable effort to ensure their accuracy at the time of this publication, information and specifications described herein are subject to error or omission and to change without notice, and the listing of such information and specifications does not ensure product availability.