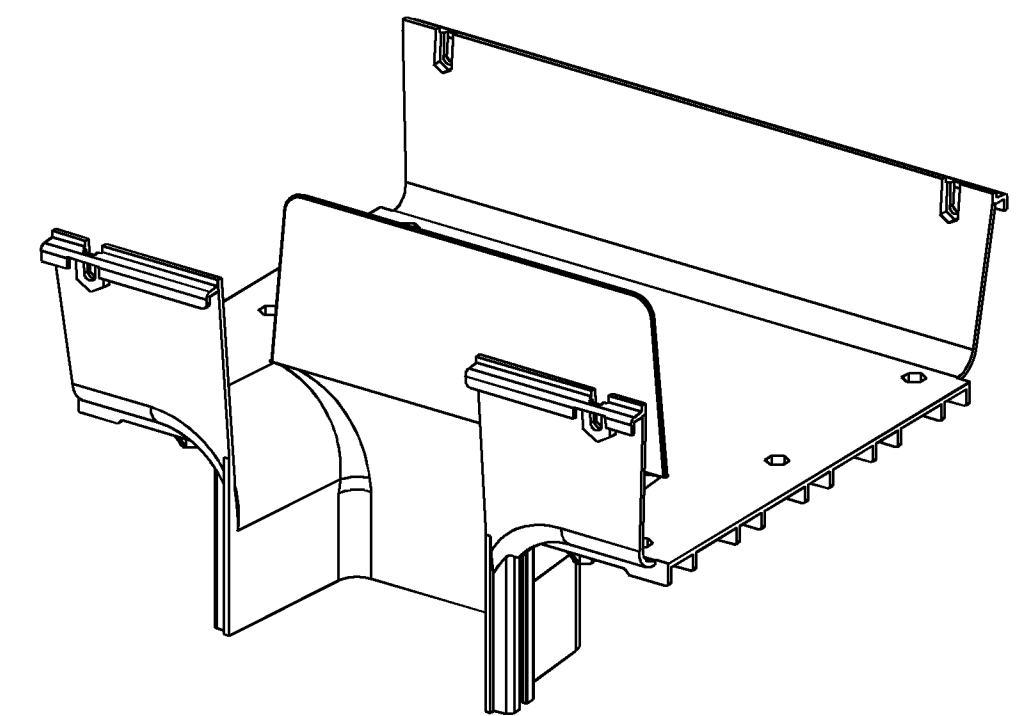
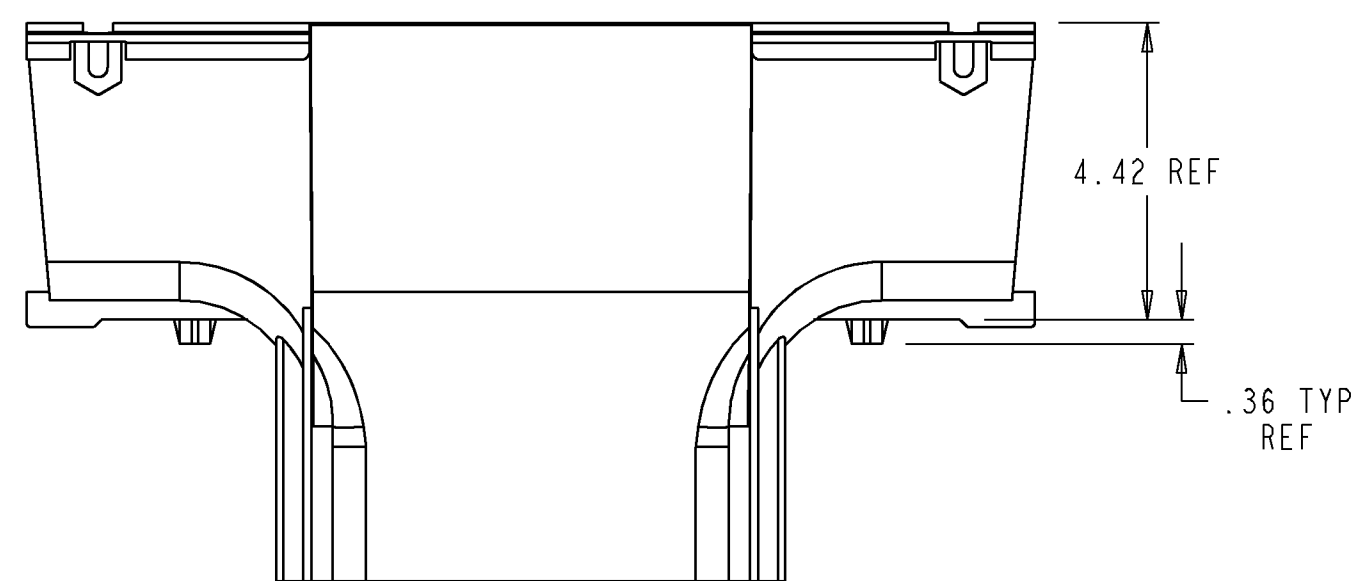
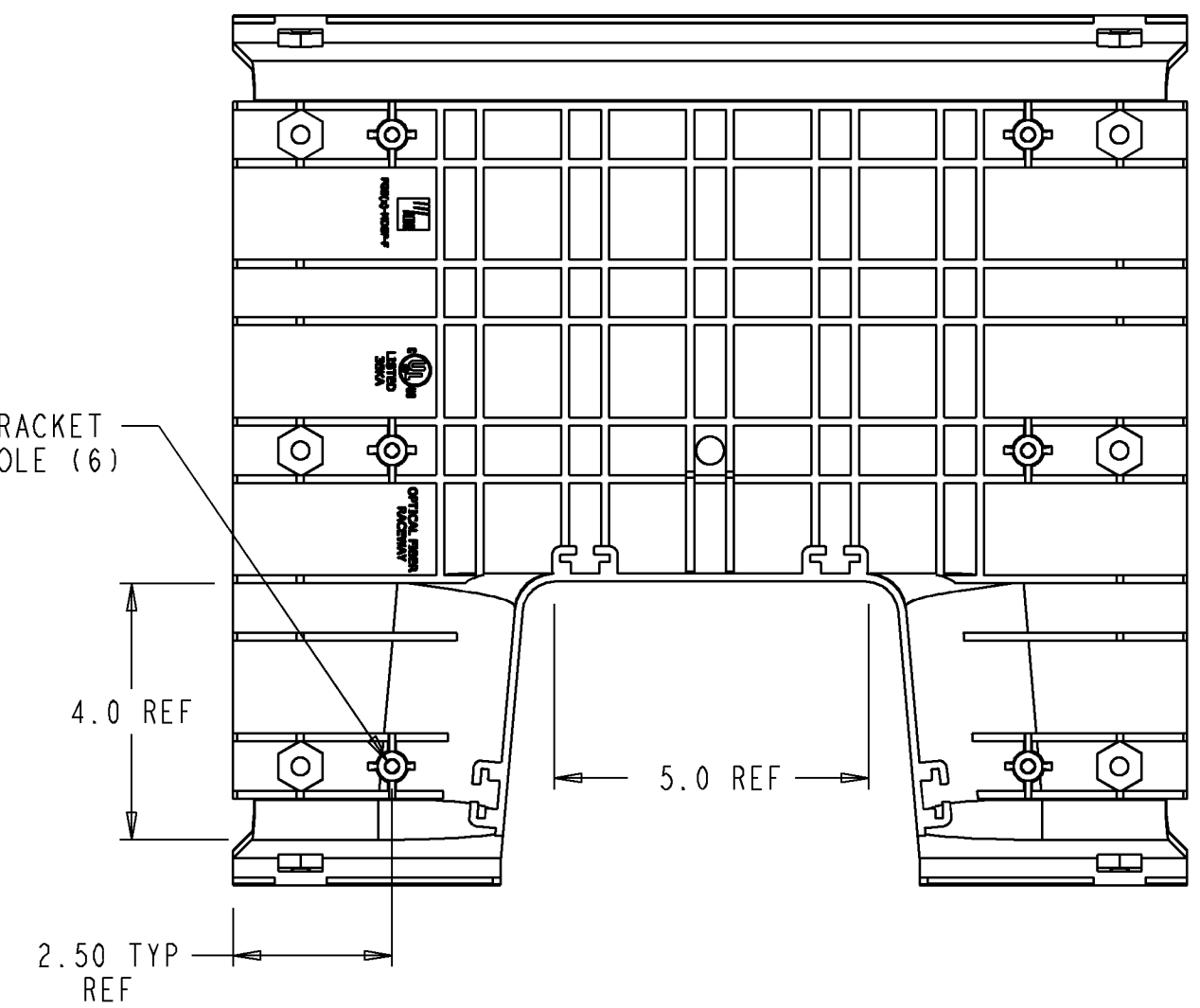
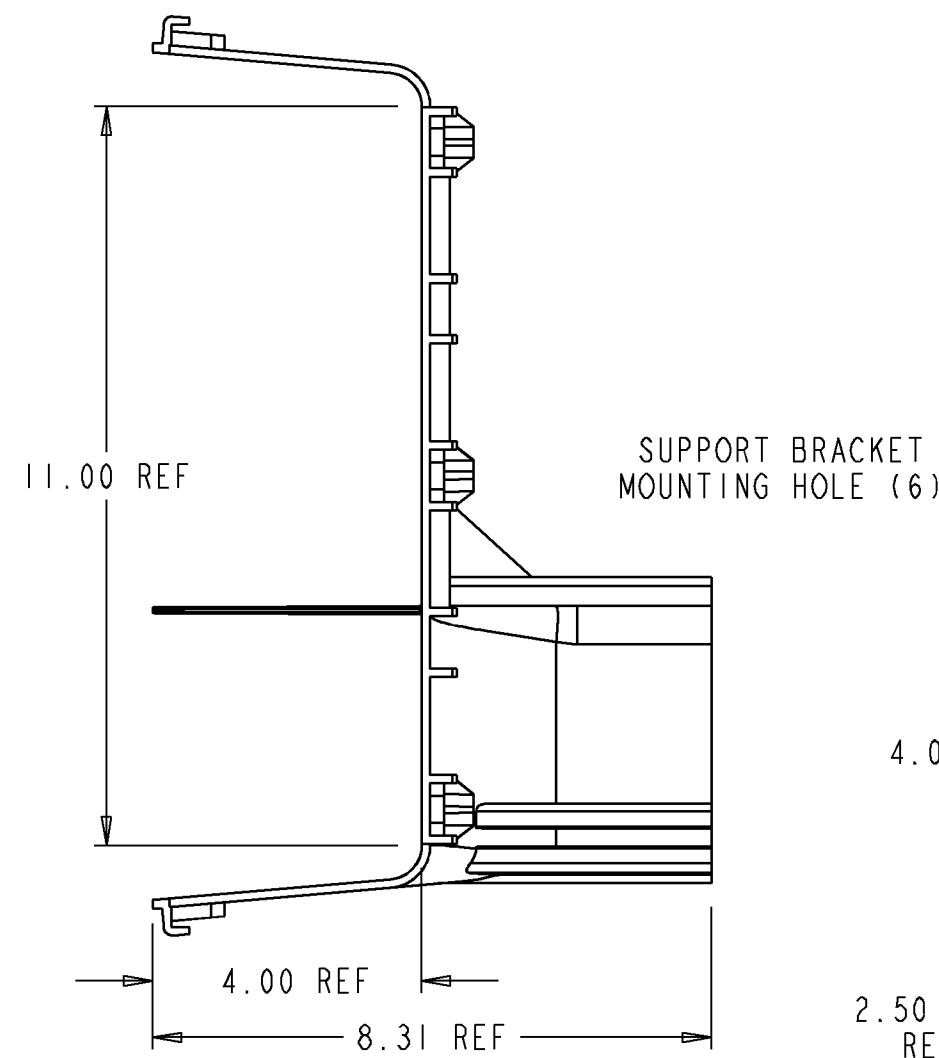
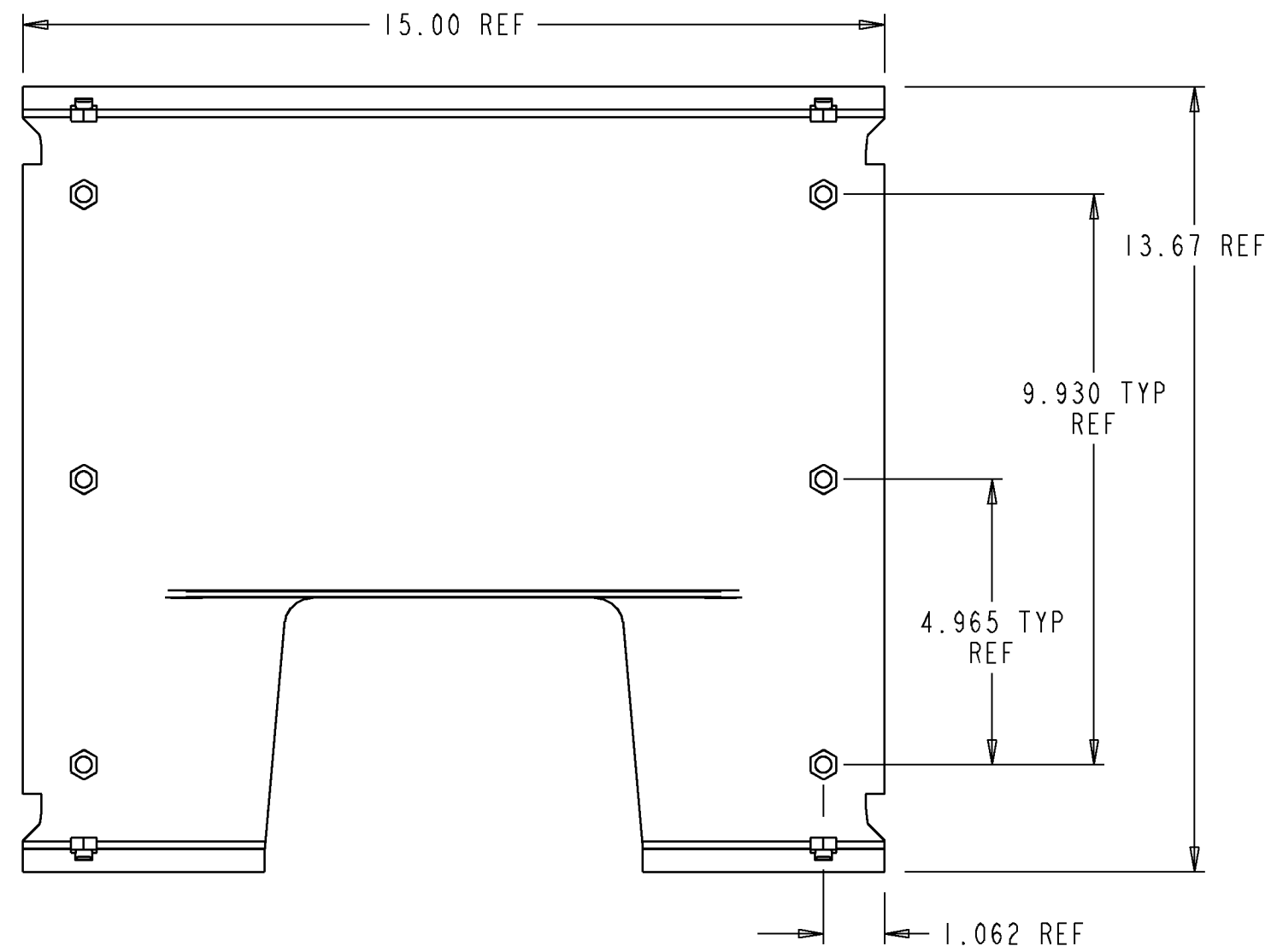


| REV | MCO | DWN | DATE |
|-----|----------|-----|-----------|
| A | 20019792 | TH | 12/28/98 |
| B | 20263143 | JSL | 17-APR-09 |



NOTES:

1. MATERIAL IS SELF EXTINGUISHING WITH A UL 94 RATING OF V-0.

| CATALOG NO. | COLOR |
|-------------|--------|
| FGSB-MDSP-F | BLACK |
| FGS-MDSP-F | YELLOW |
| FGSO-MDSP-F | ORANGE |



INFORMATION ON THIS DOCUMENT IS PROPRIETARY TO ADC AND SHALL NOT BE USED, COPIED, REPRODUCED OR DISCLOSED IN WHOLE OR IN PART WITHOUT WRITTEN CONSENT OF ADC.

ALL DIMS AND TOLERANCES .XX:± N/A
 ARE INCHES UNLESS .XXX:± N/A
 OTHERWISE SPECIFIED ANGULAR:± N/A

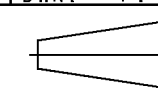
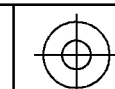
DO NOT SCALE DRAWING

TITLE
 DWNSPT, 4X12, 4X12 EXIT
 INSTALLATION DRAWING

DRAWING NUMBER
 1044495

ENGR: T. HAATAJA
 DWN: T. HAATAJA

SHT. 1 OF 1



**DIMENSIONS IN INCHES
 THIRD ANGLE PROJECTION**