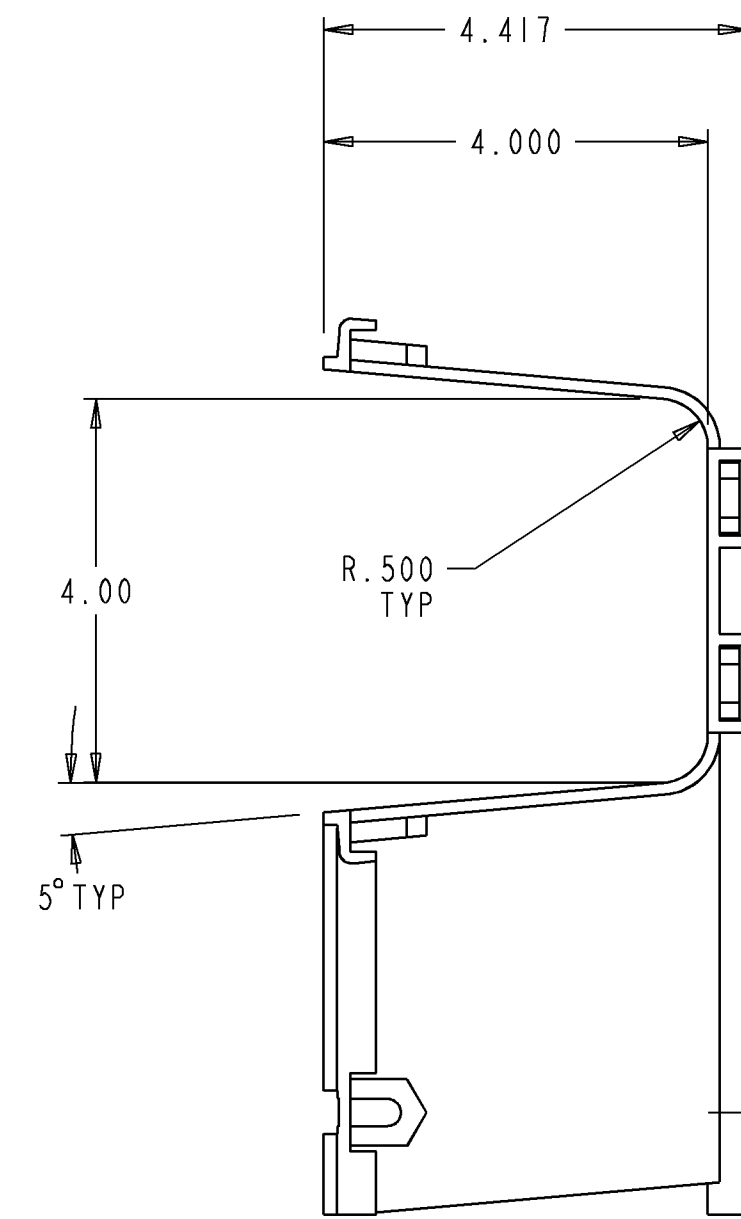
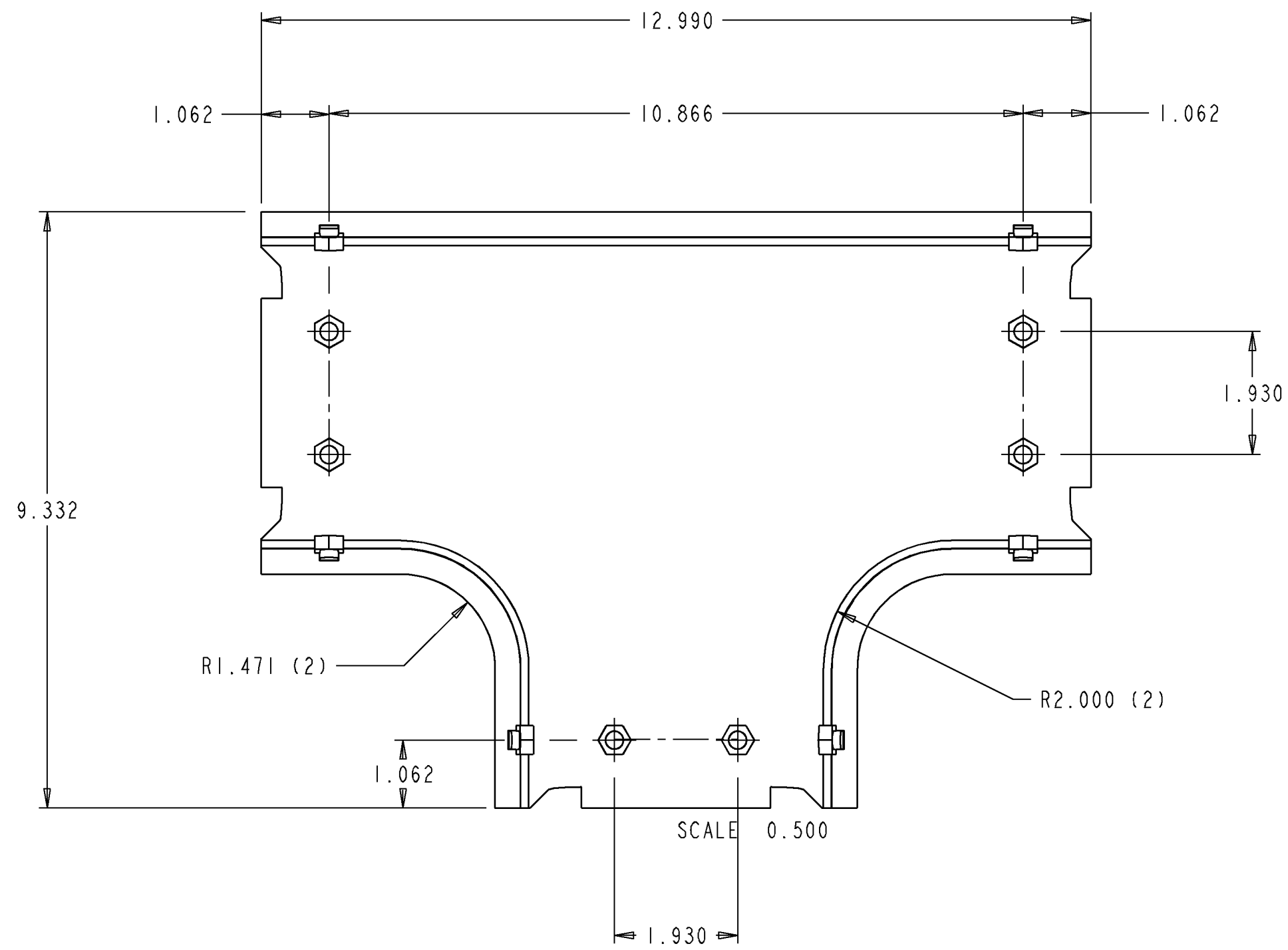


REV	MCO	DWN	DATE
A	96430	MV	02-19-92
B	20237120	AED	03-APR-08



NOTE:  
1. MATERIAL IS SELF EXTINGUISHING WITH A UL  
94 RETING OF V-O.

FGSB-MHRT-A	BLACK
FGSP-MHRT-A	PUTTY
FGSO-MHRT-A	ORANGE
FGS-MHRT-A	YELLOW
CATALOG NO.	COLOR



INFORMATION ON THIS DOCUMENT IS PROPRIETARY TO ADC AND SHALL NOT BE USED, COPIED, REPRODUCED OR DISCLOSED IN WHOLE OR IN PART WITHOUT WRITTEN CONSENT OF ADC.		TITLE HORIZONTAL T 4X4-4-4 INSTALLATION DRAWING	
ALL DIMS AND TOLERANCES ARE INCHES UNLESS OTHERWISE SPECIFIED	.XX:± N/A .XXX:± N/A ANGULAR:± N/A	C SIZE	DRAWING NUMBER 4-29000-0058
DO NOT SCALE DRAWING	ENGR: R. HENNEBERGER DWN: S. CARRINGER	SHT. 1 OF 1	

DIMENSIONS IN INCHES  
THIRD ANGLE PROJECTION