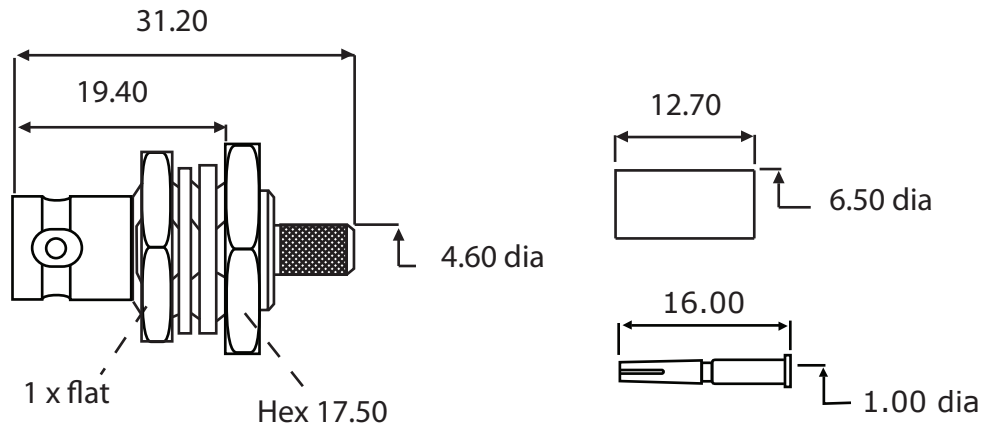


BNC Bulkhead Crimp Socket For RG142, RG223, RG400

Part Number: 305-211



Description	BNC Crimp Bulkhead Jack, Hex. Flange
To Fit Cable Types	RG142, RG223, RG400
Fixing Method	Crimp
Body	Brass, Nickel Plated
Contact	Brass, Gold Plated
Dielectric	Delrin
Ferrule	Brass, Nickel Plated
Locknut	Brass, Nickel Plated
Washer	SS41, Nickel Plated
Cable Retention	Equal to breaking strain of cable
Dielectric Withstanding	1500 Volts RMS Maximum
Durability	500 mating cycles
Impedance	50 ohms
Max. Frequency	4 GHz
Temperature Range	-55 to +85 degrees C
Working Voltage	500 Volts RMS Maximum