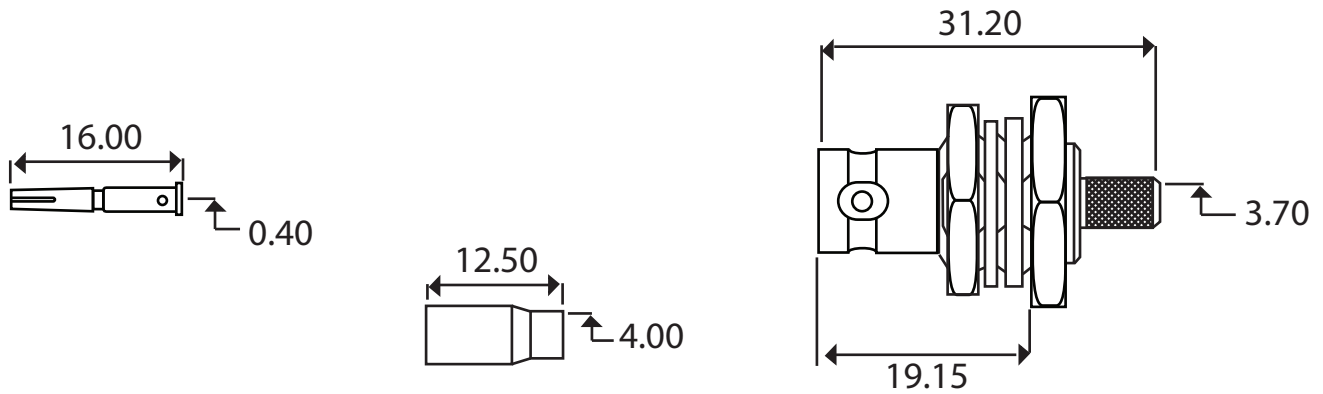


BNC Bulkhead Crimp Socket For RG179 RG187 RG179PE

Part number: 305-219



Description	BNC Crimp Bulkhead Jack, Hex. Flange
To Fit Cable Types	RG179, RG179PE
Fixing Method	Crimp
Body	Brass, Nickel Plated
Contact	Brass, Gold Plated
Dielectric	PTFE
Ferrule	Brass, Nickel Plated
Grommet	Rubber
Locknut	Brass, Nickel Plated
Washer	SS41, Nickel Plated
Cable Retention	Equal to breaking strain of cable
Dielectric Withstanding	1500V RMS Maximum
Durability	500 mating cycles
Impedance	75 ohms
Max. Frequency	1 GHz
Temperature Range	-65 to +165 degrees C