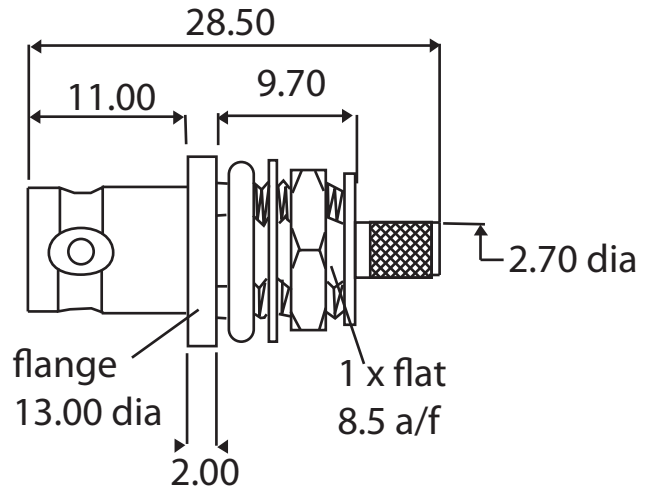
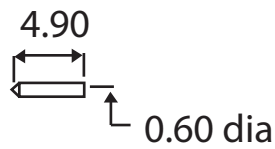
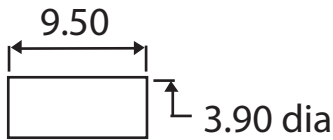


BNC Panel Crimp Socket For RG174 RG316 RG188 GBC100

Part number: 305-407



Description	BNC Crimp Panel Mount Jack - Front Entry - Integral Contact
To Fit Cable Types	RG174 RG316 RG188 GBC100
Fixing Method	Crimp
Body	Brass, Nickel Plated
Contact	Brass, Gold Plated
Dielectric	PTFE
Ferrule	Brass, Nickel Plated
Locknut	Brass, Nickel Plated
O Ring	Rubber
Pin	Brass, Gold Plated
Washer	Brass, Nickel Plated
Cable Retention	Equal to breaking strain of cable
Dielectric Withstanding	1500 Volts RMS Maximum
Durability	500 mating cycles
Impedance	50 ohms
Max. Frequency	4 GHz
Temperature Range	-65 to +165 degrees C
Working Voltage	500 Volts RMS Maximum
Maximum Panel Thickness	6.9mm

