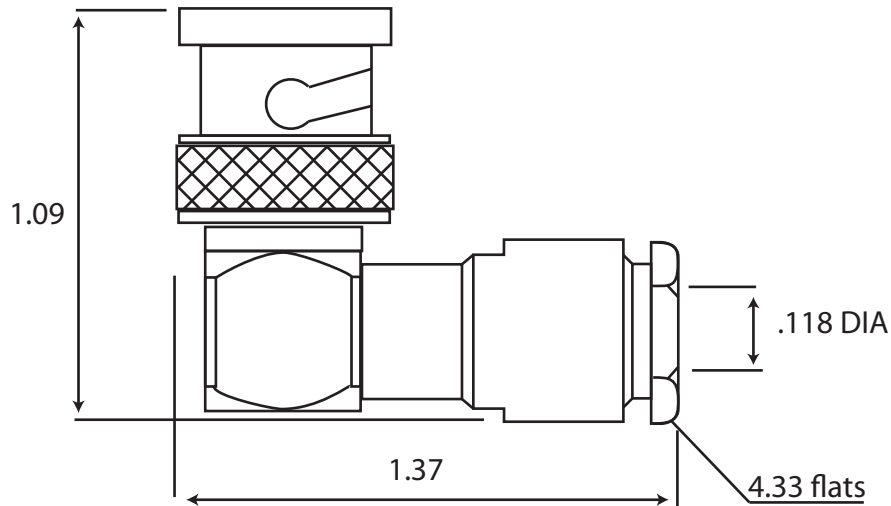


BNC Right Angle Crimp Plug For BT2003

Part number: 305-601



<b>Cable types:</b>	<b>BT2003, BT3002</b>
<b>Impedance</b>	50Ω
<b>Frequency</b>	0-4 GHz
<b>Voltage Rating</b>	500 max
<b>Dielectric withstanding voltage</b>	1500 min
<b>Insulation resistance</b>	5000 MΩ mini
<b>Mating cycle</b>	-
<b>Weight</b>	-
<b>Operating temperature</b>	-65/+165°C
<b>Cable Retention</b>	110N min
<b>Body</b>	Brass
<b>Center Contact</b>	Beryllium copper
<b>Finish</b>	Gold

