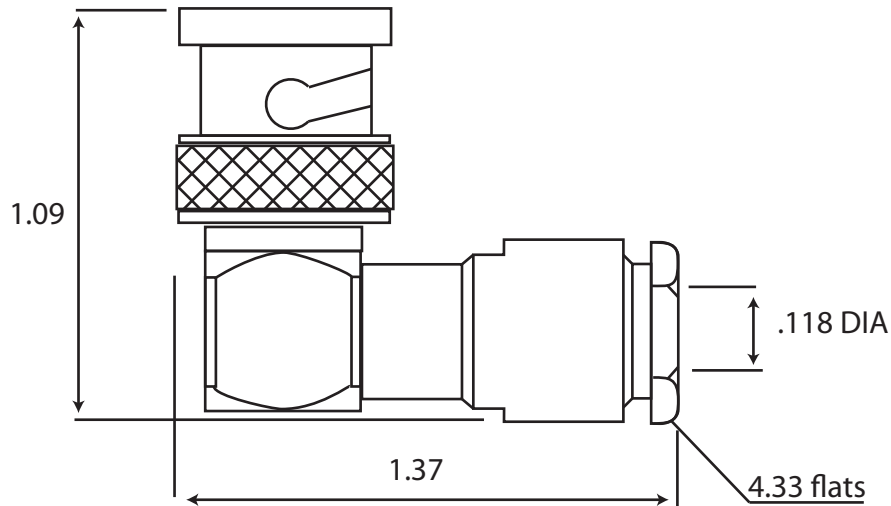


BNC Right Angle Crimp Plug For BT3002

Part number: 305-602



Cable types:	BT2003, BT3002
Impedance	50Ω
Frequency	0-4 GHz
Voltage Rating	500 max
Dielectric withstanding voltage	1500 min
Insulation resistance	5000 MΩ mini
Mating cycle	-
Weight	-
Operating temperature	-65/+165°C
Cable Retention	110N min
Body	Brass
Center Contact	Beryllium copper
Finish	Gold

