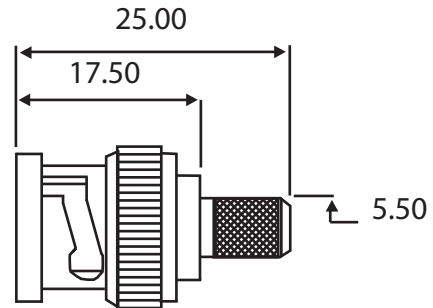
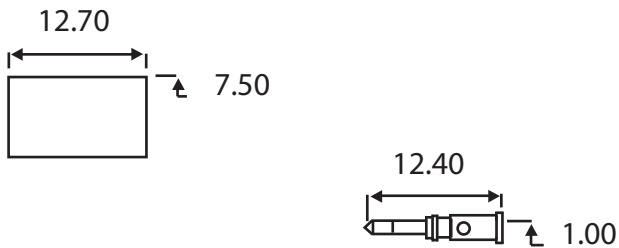


BNC crimp plug for belden 1505A

Part number:305-801



Description	BNC Crimp Plug
To Fit Cable Types	Belden 1426A, Belden 1505A, Belden 1505F
Fixing Method	Crimp
Body	Brass, Nickel Plated
Coupling Nut	Diecast, Nickel Plated
Dielectric	Delrin
Ferrule	Brass, Nickel Plated
Pin	Brass, Gold Plated
Cable Retention	Equal to breaking strain of cable
Dielectric Withstanding	1500 Volts RMS Maximum
Durability	500 mating cycles
Impedance	75 ohms
Max. Frequency	1 GHz
Temperature Range	-55 to +85 degrees C
Working Voltage	500 Volts RMS Maximum

