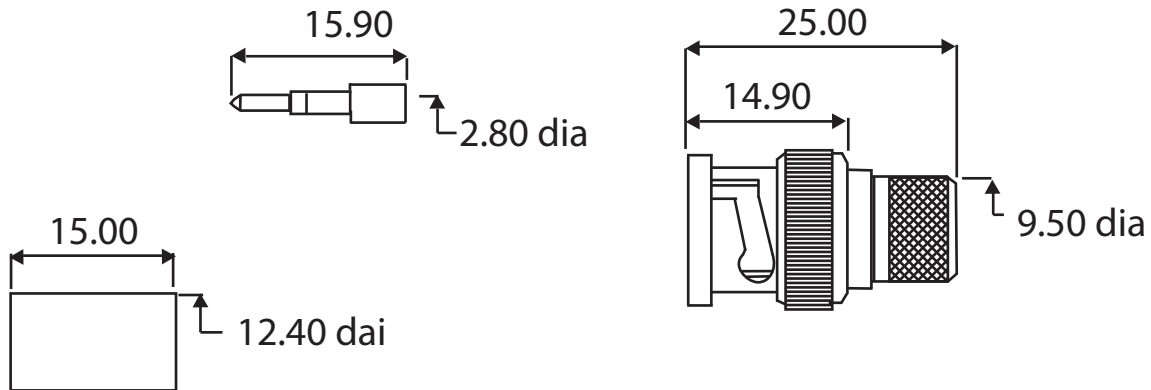


BNC Straight Crimp Plug For LMR400, GBC400, Belden 9913 (50 Ohm)

Part Number: 305-814



Description	BNC Crimp Plug, Nickel Plated
To Fit Cable Types	LBC400, GBC 400 , Belden 9913
Fixing Method	Crimp
Body	Brass, Nickel Plated
Coupling Nut	Brass, Nickel Plated
Dielectric	Delrin
Ferrule	Brass, Nickel Plated
Pin	Brass, Gold Plated
Cable Retention	Equal to breaking strain of cable
Dielectric Withstanding	1500 Volts RMS Maximum
Durability	500 mating cycles
Impedance	50 ohms
Max. Frequency	2.5 GHz
Temperature Range	-55 to +85 degrees C
Working Voltage	500 Volts RMS Maximum

