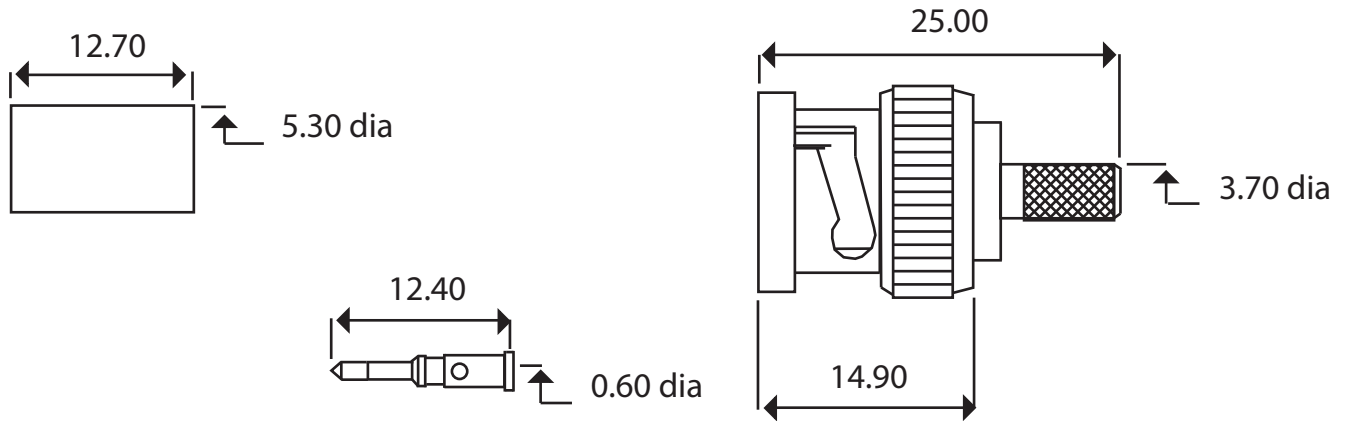


**BNC Straight Crimp Plug For Mini RG59 - Nickel Plated (75 Ohm)**

Part number: 305-815



Description	BNC Crimp Plug
To Fit Cable Types	Mini RG59
Fixing Method	Crimp
Body	Brass, Nickel Plated
Coupling Nut	Brass, Nickel Plated
Dielectric	Delrin
Ferrule	Brass, Nickel Plated
Cable Retention	Equal to breaking strain of cable
Dielectric Withstanding	1500 Volts RMS Maximum
Durability	500 mating cycles
Impedance	75 ohms
Max. Frequency	3 GHz
Temperature Range	-55 to +85 degrees C
Working Voltage	500 Volts RMS Maximum

