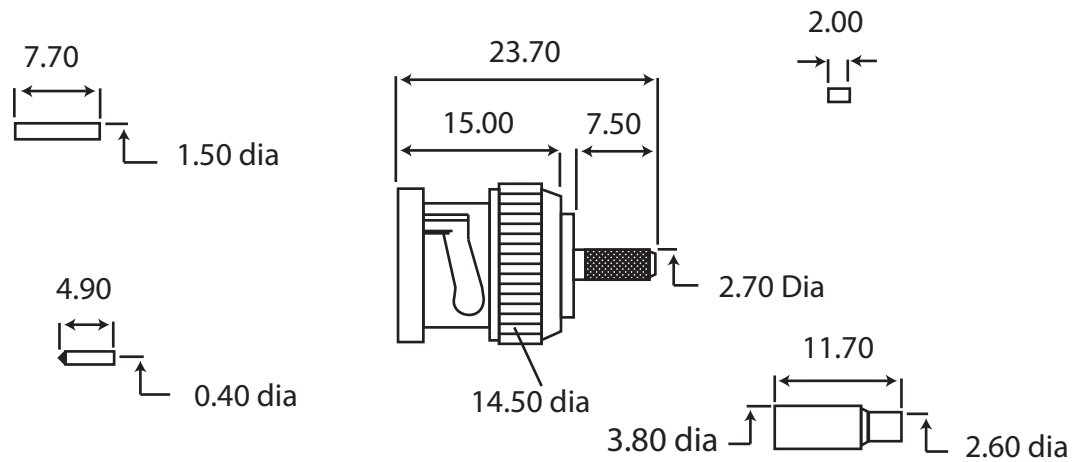


## BNC Straight Crimp Plug For RG178 RG196

Part Number: 305-830



Description	BNC Crimp Plug
To Fit Cable Types	RG178
Fixing Method	Crimp
Body	Brass, Nickel Plated
Coupling Nut	Brass, Nickel Plated
Dielectric	PTFE
Ferrule	Brass, Nickel Plated
Insulator	PTFE
Pin	Brass, Gold Plated
Tube	Brass, Nickel Plated
Cable Retention	Equal to breaking strain of cable
Dielectric Withstanding	1500 Volts RMS Maximum
Durability	500 mating cycles
Impedance	50 ohms
Max. Frequency	3 GHz
Temperature Range	-65 to +165 degrees C
Working Voltage	500 Volts RMS Maximum

