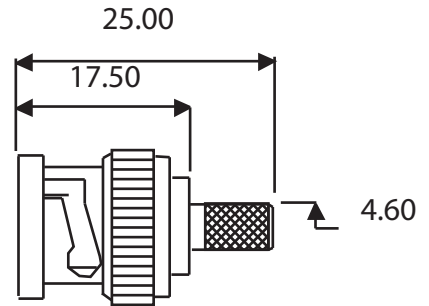
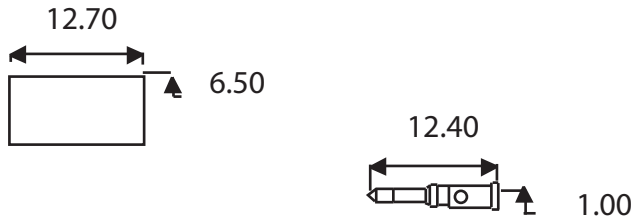


BNC Straight Crimp Plug (50 Ohm) For RG58 URM43 LMR195 GBC195

Part number 305-835



Description	BNC Crimp Plug
To Fit Cable Types	RG58, URM43, LMR195 GBC195
Fixing Method	Crimp
Body	Brass, Nickel Plated
Coupling Nut	Diecast, Nickel Plated
Dielectric	Delrin
Ferrule	Brass, Nickel Plated
Pin	Brass, Gold Plated
Cable Retention	Equal to breaking strain of cable
Dielectric Withstanding	1500 Volts RMS Maximum
Durability	500 mating cycles
Impedance	50 ohms
Max. Frequency	4 GHz
Temperature Range	-55 to +85 degrees C
Working Voltage	500 Volts RMS Maximum

Strip Dimensions	A	B	C
mm	8	5	4

