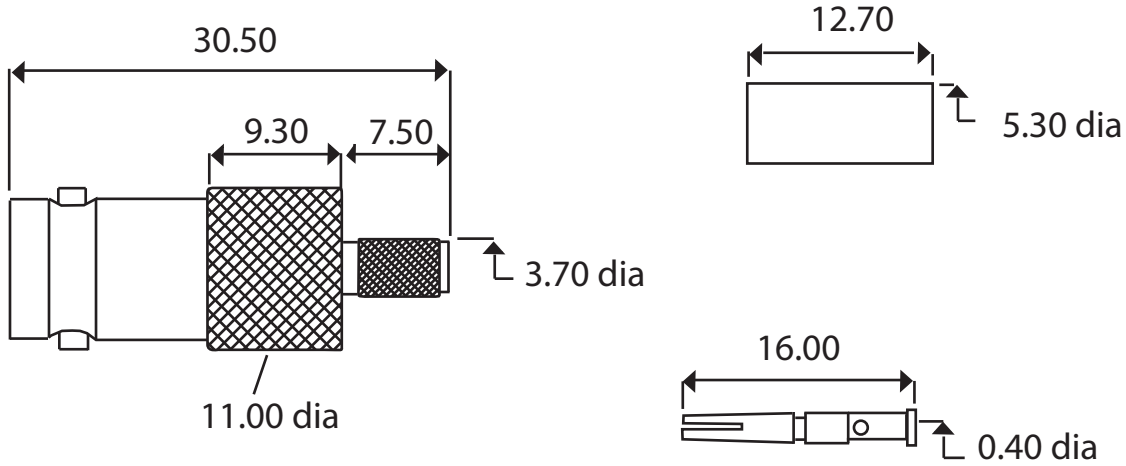


BNC Straight Crimp Socket For BT3002, TZC75024 (75 Ohm)

Part number: 305-901



Description	BNC Crimp Jack
To Fit Cable Types	BT3002, TZC75024
Fixing Method	Crimp
Body	Brass, Nickel Plated
Contact	Brass, Gold Plated
Dielectric	PTFE
Ferrule	Brass, Nickel Plated
Cable Retention	Equal to breaking strain of cable
Dielectric Withstanding	1500 Volts RMS Maximum
Working Voltage	500 Volts RMS Maximum
Impedance	75 ohms
Max. Frequency	1 GHz
Temperature Range	-65 to +165 degrees C
Durability	500 mating cycles

Strip Dimensions	A	B	C
mm	8	3	3

