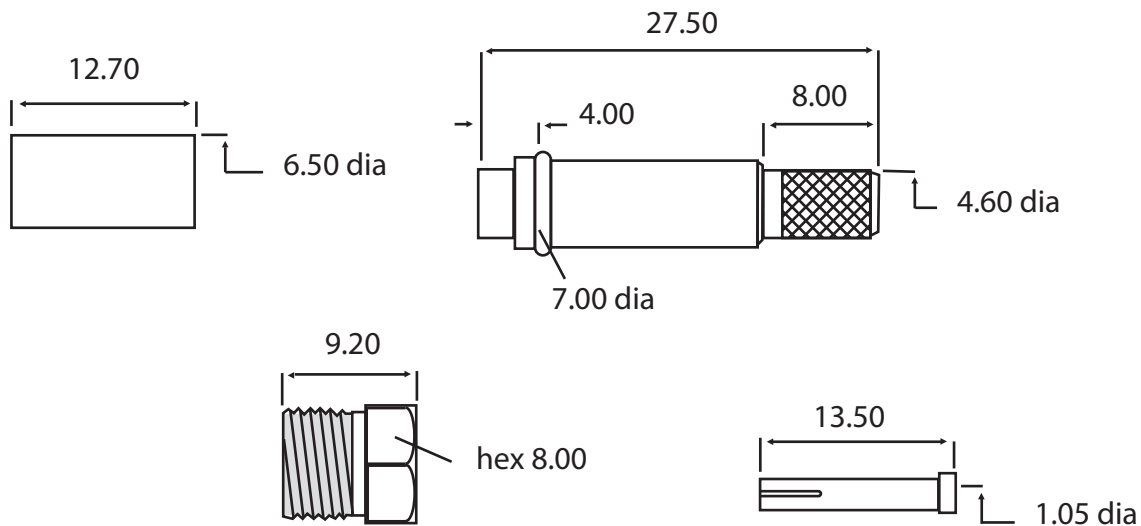


Straight Crimp socket for RG58, URM43, GBC195

Part number: 306-109



Description	FME Crimp Jack
To Fit Cable Types	RG58, GBC195, URM43
Fixing Method	Crimp
Body	Brass, Nickel Plated
Contact	Brass, Gold Plated
Coupling Nut	Brass, Nickel Plated
Dielectric	Delrin
Ferrule	Brass, Nickel Plated
Cable Retention	Equal to breaking strain of cable
Dielectric Withstanding	500 Volts RMS Maximum
Durability	500 mating cycles
Impedance	50 ohms
Max. Frequency	2 GHz
Temperature Range	-55 to +85 degrees C
Working Voltage	250 Volts RMS Maximum

