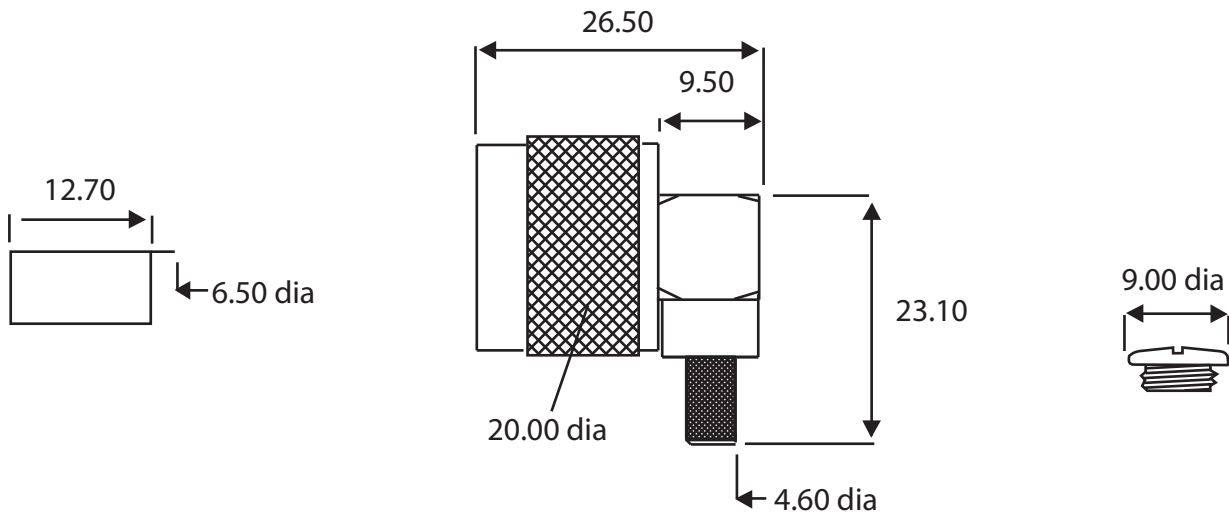


N Type Right Angle Crimp Plug For LMR200 GBC200  
Part number: 308-404



<b>Description</b>	<b>N Type Crimp Right Angle Plug, Nickel Plated</b>
<b>To Fit Cable Types</b>	LMR200
<b>Fixing Method</b>	Crimp
<b>Body</b>	Brass, Nickel Plated
<b>Coupling Nut</b>	Brass, Nickel Plated
<b>Dielectric</b>	PTFE
<b>Ferrule</b>	Brass, Nickel Plated
<b>Pin</b>	Brass, Gold Plated
<b>Cable Retention</b>	Equal to breaking strain of cable
<b>Dielectric Withstanding</b>	2500 Volts RMS Maximum
<b>Durability</b>	500 mating cycles
<b>Impedance</b>	50 ohms
<b>Max. Frequency</b>	3 GHz
<b>Temperature Range</b>	-65 to +165 degrees C

