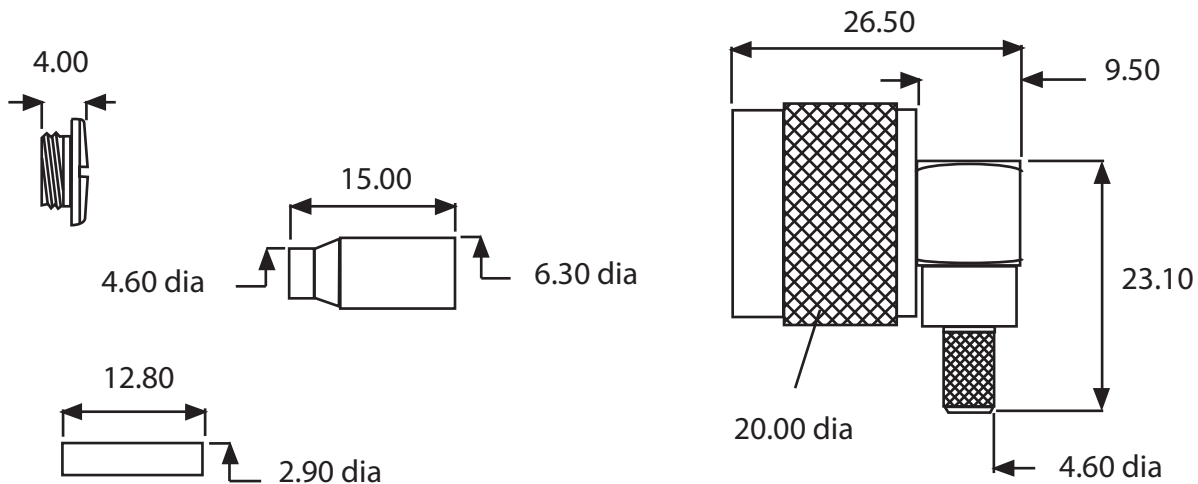


N type Right angle crimp plug for RG179, RG188, RG316, GBC100
 Part number: 308-407



Description	N Type Crimp Right Angle Plug, Nickel Plated
To Fit Cable Types	RG174, RG188, RG316, GBC100
Fixing Method	Crimp
Body	Brass, Nickel Plated
Coupling Nut	Brass, Nickel Plated
Dielectric	PTFE
Ferrule	Brass, Nickel Plated
Pin	Brass, Gold Plated
Cable Retention	Equal to breaking strain of cable
Dielectric Withstanding	2500 Volts RMS Maximum
Durability	500 mating cycles
Impedance	50 ohms
Max. Frequency	1 GHz
Temperature Range	-65 to +165 degrees C
Working Voltage	1500 Volts RMS Maximum

