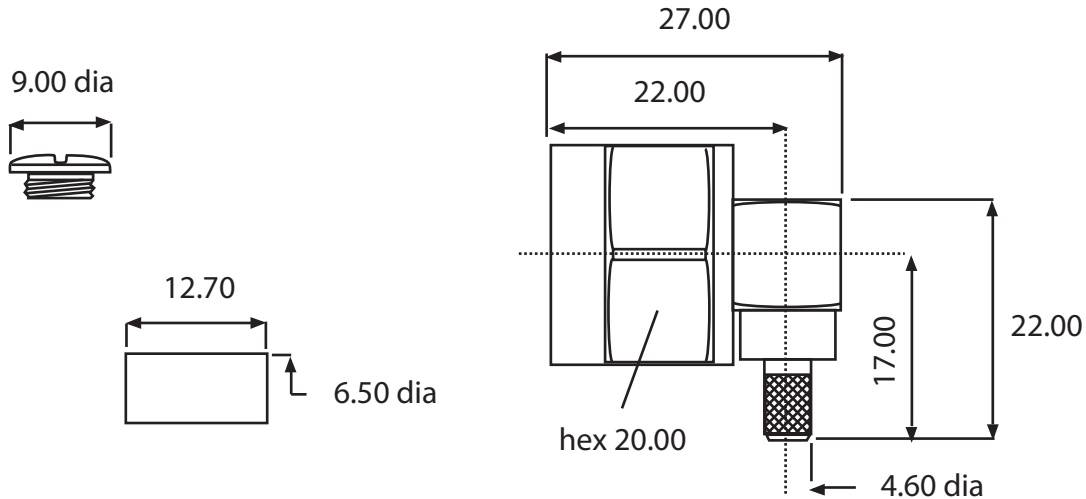


N Type Right angle crimp plug for RG58 URM43 GBC195 RG142 RG223 RG400 (Hex Nut)

Part number: 308-411



<b>Description</b>	<b>N Type Crimp R/Angle Plug, Hex Nut, Tri-Alloy Plated</b>
<b>To Fit Cable Types</b>	RG58,GBC196, URM43 RG142 RG223 RG400
<b>Fixing Method</b>	Crimp
<b>Body</b>	Brass, Tri-Alloy Plated
<b>Coupling Nut</b>	Brass, Tri-Alloy Plated
<b>Dielectric</b>	PTFE
<b>Ferrule</b>	Brass, Tri-Alloy Plated
<b>Pin</b>	Brass, Gold Plated
<b>Cable Retention</b>	Equal to breaking strain of cable
<b>Dielectric Withstanding</b>	2500 Volts RMS Maximum
<b>Durability</b>	500 mating cycles
<b>Impedance</b>	50 ohms
<b>Max. Frequency</b>	11 GHz
<b>Temperature Range</b>	-65 to +165 degrees C
<b>Working Voltage</b>	1500 Volts RMS Maximum

