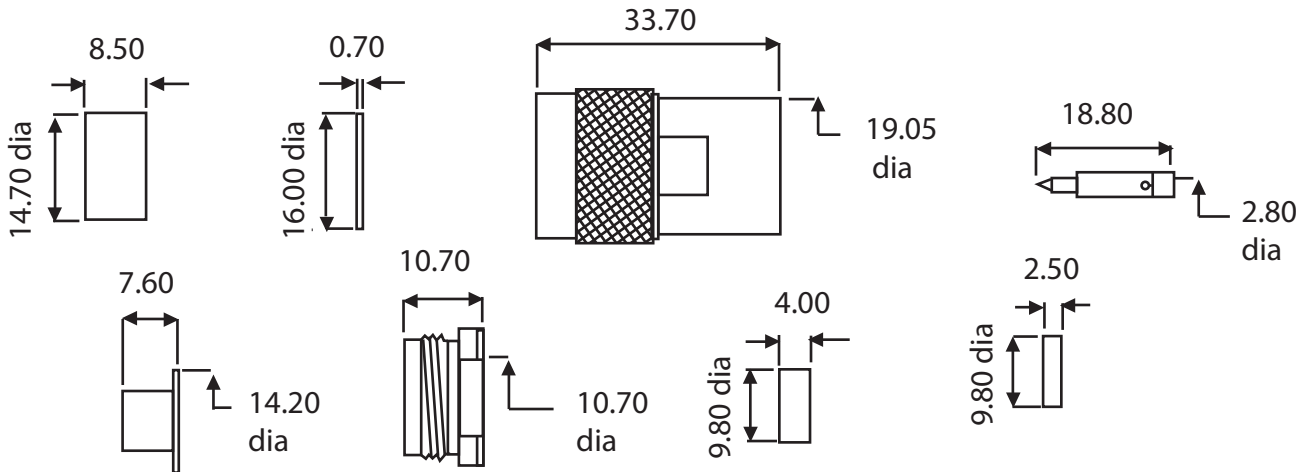


N Type straight clamp plug for Belden 9912, LMR400, GBC400 ( compression fixing)  
Part number: 308-501



**Description** **N Type Clamp Plug, Compression Fixing**

<b>To Fit Cable Types</b>	Belden 9913. LMR400. GBC400
<b>Fixing Method</b>	Clamp
<b>Body</b>	Brass, Nickel Plated
<b>Coupling Nut</b>	Brass, Nickel Plated
<b>Dielectric</b>	PTFE
<b>Backnut</b>	Brass, Nickel Plated
<b>Grommet</b>	Silicon Rubber
<b>Insulator</b>	PTFE
<b>Pin</b>	Brass, Gold Plated
<b>Top Hat</b>	Brass, Nickel Plated
<b>Washer</b>	Brass, Nickel Plated
<b>Cable Retention</b>	Equal to breaking strain of cable
<b>Dielectric Withstanding</b>	2500 Volts RMS Maximum
<b>Durability</b>	500 mating cycles
<b>Impedance</b>	50 ohms
<b>Max. Frequency</b>	11 GHz
<b>Temperature Range</b>	-65 to +165 degrees C
<b>Working Voltage</b>	1500 Volts RMS Maximum

