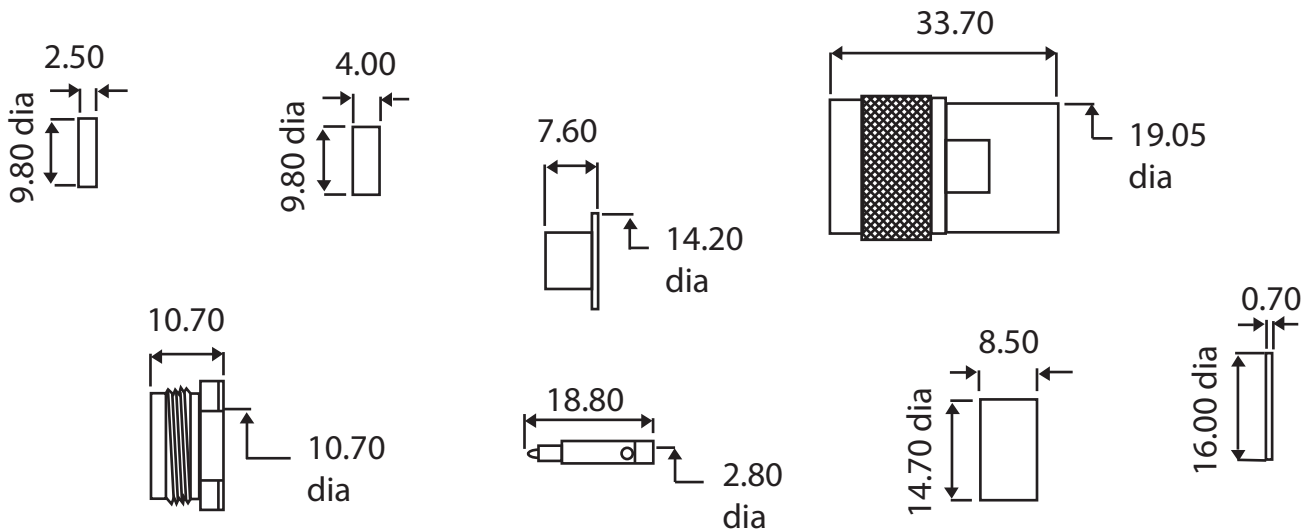


N type Straight Clamp plug for LMR400

Part number: 308-511



Description	N Type Clamp Plug, Compression Fixing
To Fit Cable Types	LMR400,
Fixing Method	Clamp
Body	Brass, Nickel Plated
Coupling Nut	Brass, Nickel Plated
Dielectric	PTFE
Backnut	Brass, Nickel Plated
Grommet	Silicon Rubber
Insulator	PTFE
Pin	Brass, Gold Plated
Top Hat	Brass, Nickel Plated
Washer	Brass, Nickel Plated
Cable Retention	Equal to breaking strain of cable
Dielectric Withstanding	2500 Volts RMS Maximum
Durability	500 mating cycles
Impedance	50 ohms
Max. Frequency	11 GHz
Temperature Range	-65 to +165 degrees C
Working Voltage	1500 Volts RMS Maximum

