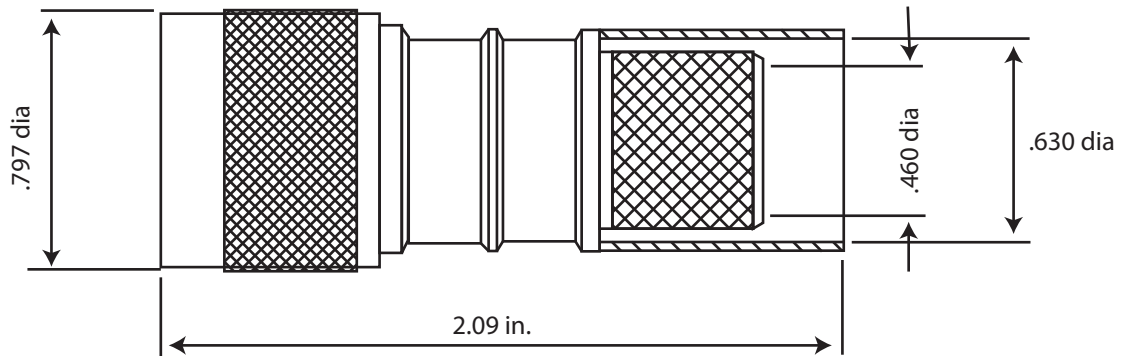


N Type Straight Crimp Plug For LMR600 (50 Ohm)

Part number: 308-716



Materials and Finishes

Center Contact : Beryllium Copper

Outer Contact: Brass

Insulator: PTFE

Nut Brass

Dielectric Teflon

Crimp Ferrule Soft Copper

Performance

Temp. Range -65°C ~+165°C

Impedance: 50 Ohm

Voltage Rating 1000 RMS

