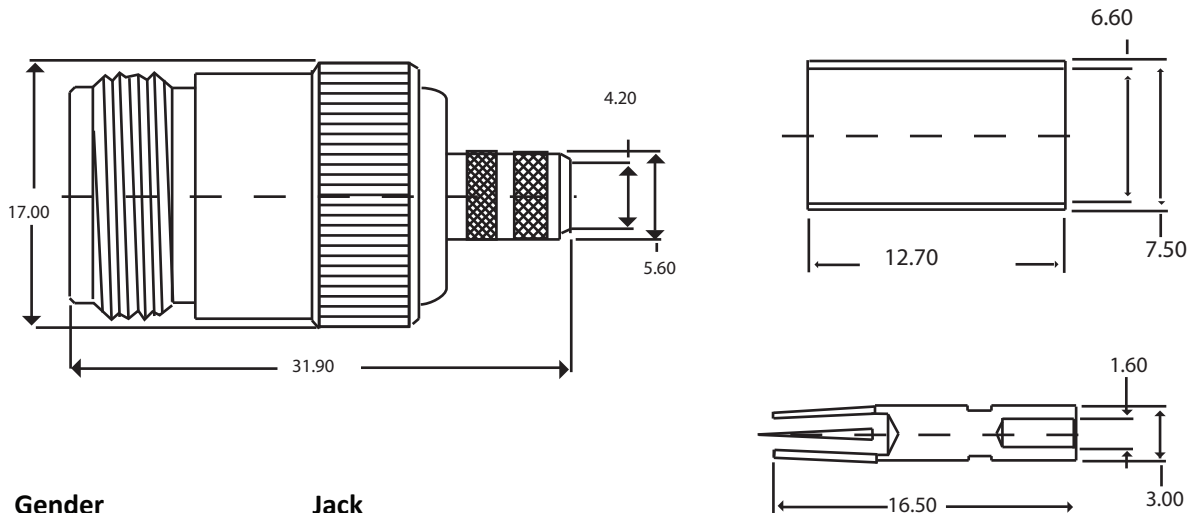


N Type Straight Crimp Socket For LMR240, GBC240 (50 Ohm)

Part number: 308-803



Gender	Jack
Orientation	Straight
For Cables	LMR240,GBC240
Insulator Material	PTFE
Body Material	Brass
Body Finish	White Bronze
Contact Material	Beryllium Copper
Contact Finish	Gold
Termination Style	Cable - Crimp
Crimp Tool	J
Impedance	50 Ohm
Contact Termination	Crimp
Coupling Mechanism	Threaded
Polarity	Standard
Thread Direction	Standard
Max Freq (Ghz)	11

