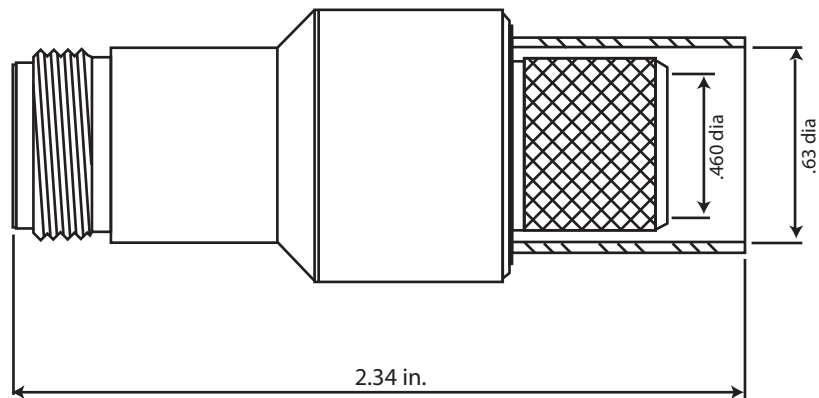


N Type Straight Crimp Socket For LMR600
Part Number: 308-806



MATERIALS & FINISHES

center contact: Gold Plated Beryllium Copper

outer contact: Silver Plated Brass

body: Silver Plated Brass

crimp sleeve: Silver Plated Copper

dielectric: Teflon PTFE

gasket: Silicone Rubber

shrink sleeve: Adhesive Lined Polyolefin

crimp size: .610" hex

II. ELECTRICAL PROPERTIES

impedance: 50 ohms

working voltage: 1000 vrms (max)

vswr: 1.25:1 (max) up to 6 GHz

insertion loss: $0.1 \times \sqrt{F_{ghz}}$

