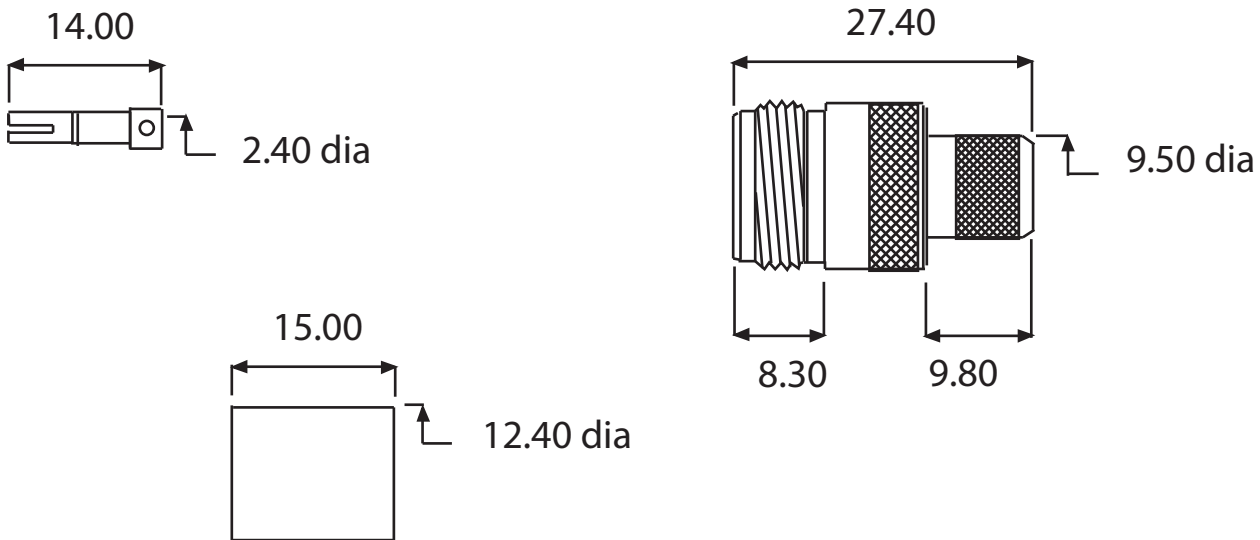


## N Type Straight Crimp Socket For RG213 (50 Ohm)

Part Number: 308-808



Description	N Type Crimp Jack
To Fit Cable Types	RG213
Fixing Method	Crimp
Body	Brass, Nickel Plated
Contact	Brass, Gold Plated
Dielectric	PTFE
Ferrule	Brass, Nickel Plated
Cable Retention	Equal to breaking strain of cable
Dielectric Withstanding	2500 Volts RMS Maximum
Durability	500 mating cycles
Impedance	50 ohms
Max. Frequency	6 GHz
Temperature Range	-65 to +165 degrees C
Working Voltage	1500 Volts RMS Maximum

