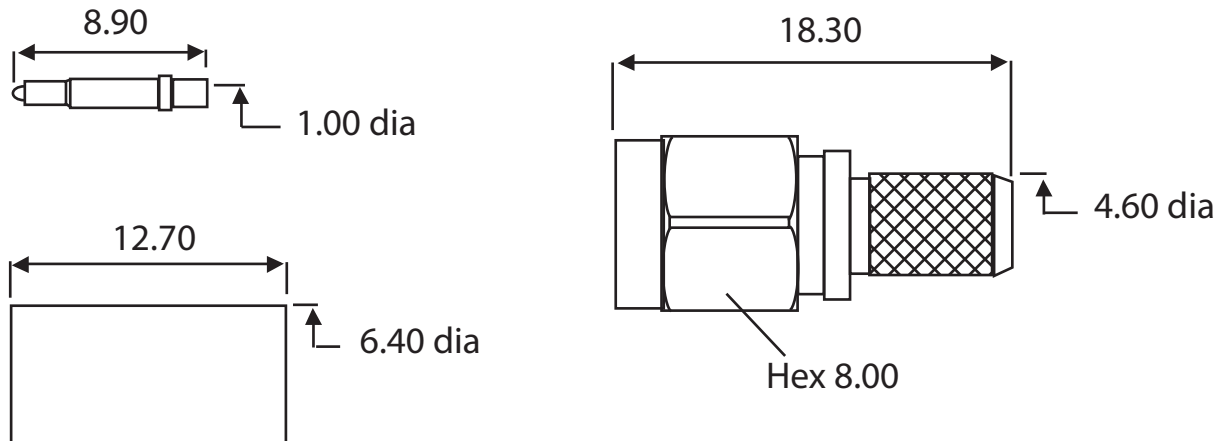


SMA straight crimp plug for RG142, Rg223, RG400 (gold plated)

Part number: 311-408



**Description SMA Crimp Plug, Gold Plated**

<b>To Fit Cable Types</b>	RG142, RG223, RG400
<b>Fixing Method</b>	Crimp
<b>Body</b>	Brass, Gold Plated
<b>Coupling Nut</b>	Brass, Gold Plated
<b>Dielectric</b>	PTFE
<b>Ferrule</b>	Brass, Gold Plated
<b>Pin</b>	Brass, Gold Plated
<b>Cable Retention</b>	Equal to breaking strain of cable
<b>Dielectric Withstanding</b>	1000 Volts RMS Maximum
<b>Durability</b>	500 mating cycles
<b>Impedance</b>	50 ohms
<b>Max. Frequency</b>	12.4 GHz
<b>Mating Torque</b>	0.79 to 1.13NM (7-10 inch pounds)
<b>Temperature Range</b>	-65 to +165 degrees C
<b>Working Voltage</b>	500 Volts RMS Maximum

