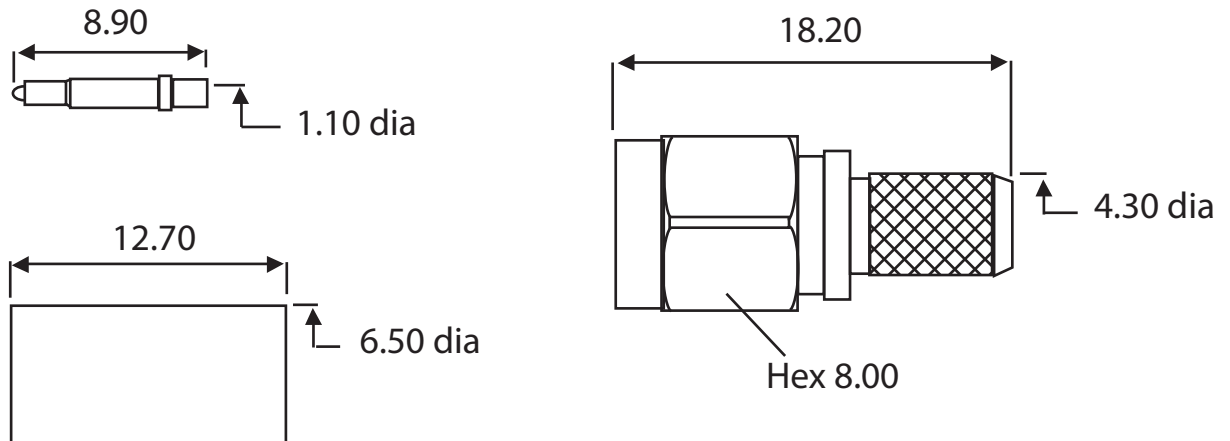


SMA straight crimp plug for RG142, Rg223, RG400 (Stainless steel)

Part number: 311-409



Description	SMA Crimp Plug, Stainless Steel
To Fit Cable Types	RG142, RG223, RG400
Fixing Method	Crimp
Body	Passivated Stainless Steel
Coupling Nut	Passivated Stainless Steel
Dielectric	PTFE
Ferrule	Brass, Tri Alloy Plated
Pin	Brass, Gold Plated
Cable Retention	Equal to breaking strain of cable
Dielectric Withstanding	1000 Volts RMS Maximum
Durability	500 mating cycles
Impedance	50 ohms
Max. Frequency	12.4 GHz
Mating Torque	0.79 to 1.13NM (7-10 inch pounds)
Temperature Range	-65 to +165 degrees C
Working Voltage	500 Volts RMS Maximum

