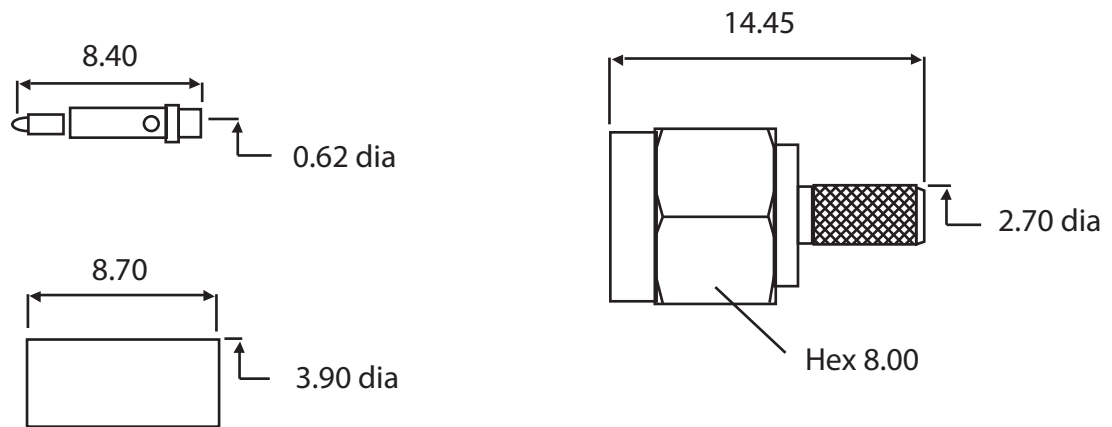


SMA crimp plug for RG174, RG188, RG316, GBC100(gold)

Part number: 311-410



Description	SMA Crimp Plug, Gold Plated
To Fit Cable Types	RG174 RG188 RG316 GBC100
Fixing Method	Crimp
Body	Brass, Gold Plated
Coupling Nut	Brass, Gold Plated
Dielectric	PTFE
Ferrule	Brass, Gold Plated
Pin	Brass, Gold Plated
Cable Retention	Equal to breaking strain of cable
Dielectric Withstanding	750 Volts RMS Maximum
Durability	500 mating cycles
Impedance	50 ohms
Max. Frequency	12.4 GHz
Mating Torque	0.79 to 1.13NM (7-10 inch pounds)
Temperature Range	-65 to +165 degrees C
Working Voltage	335 Volts RMS Maximum

