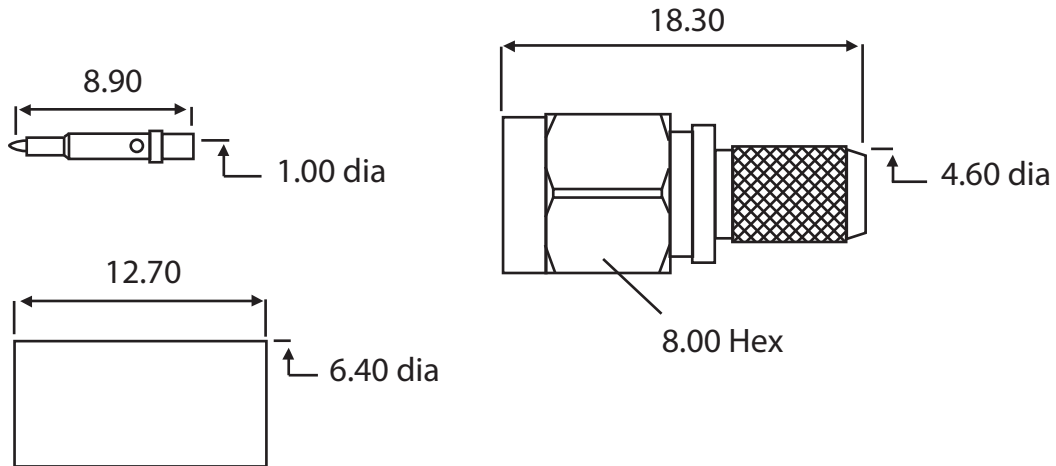


SMA straight crimp plug for RG58, URM43, LMR195, GBC195

Part number: 311-416



Description	SMA Crimp Plug, Nickel Plated
To Fit Cable Types	RG58 URM43 LMR195 GBC195
Fixing Method	Crimp
Body	Brass, Nickel Plated
Coupling Nut	Brass, Nickel Plated
Dielectric	PTFE
Ferrule	Brass, Nickel Plated
Pin	Brass, Gold Plated
Cable Retention	Equal to breaking strain of cable
Dielectric Withstanding	1000 Volts RMS Maximum
Durability	500 mating cycles
Impedance	50 ohms
Max. Frequency	12.4 GHz
Mating Torque	0.79 to 1.13NM (7-10 inch pounds)
Temperature Range	-65 to +165 degrees C
Working Voltage	500 Volts RMS Maximum

