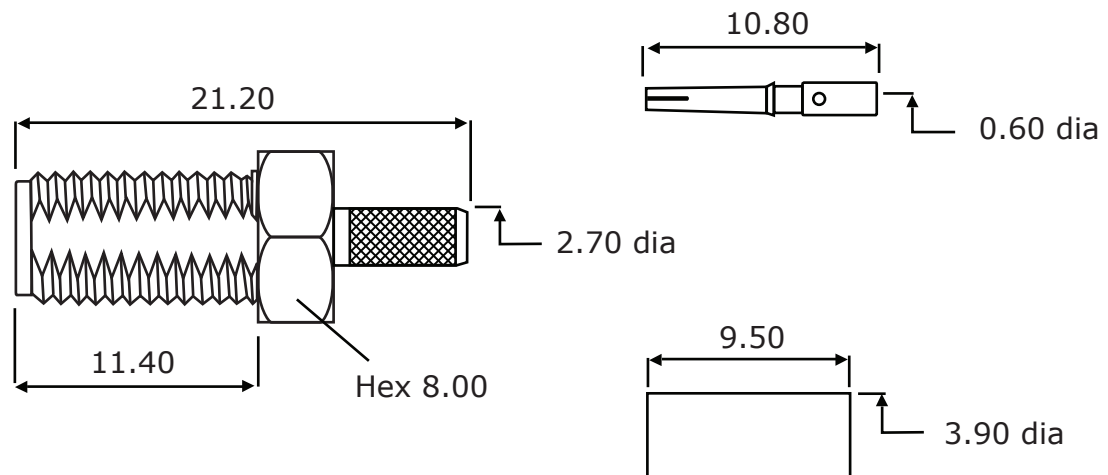


SMA Straight Crimp Socket (50 Ohm) For RG174, RG188,  
RG316, GBC100 (Gold Plated)

Part number: 311-507



Description	SMA Crimp Jack, Gold Plated
To Fit Cable Types	LMR100, GBC100, LMR100, RG174, RG188, RG316, AMC-174
Fixing Method	Crimp
Body	Brass, Gold Plated
Contact	Beryllium Copper, Gold Plated
Ferrule	Brass, Gold Plated
Cable Retention	Equal to breaking strain of cable
Dielectric Withstanding	750 Volts RMS Maximum
Durability	500 mating cycles
Impedance	50 ohms
Max. Frequency	12.4 GHz
Temperature Range	-65 to +165 degrees C
Working Voltage	335 Volts RMS Maximum
Alternative Products	MA10-0174-C06