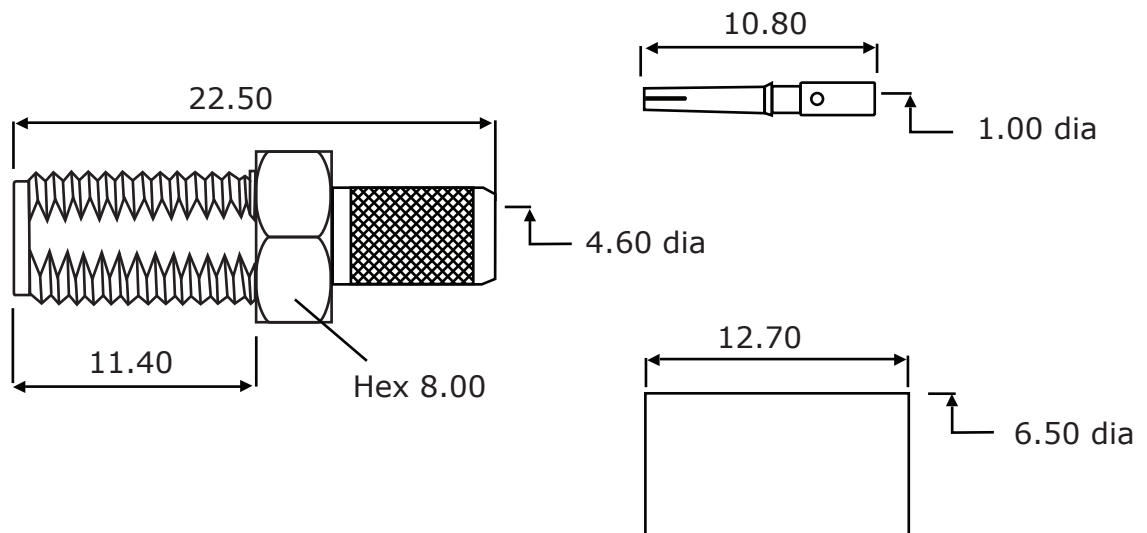


SMA Straight Crimp Socket (50 Ohm) For RG58, URM43,
LMR195, GBC195 (Gold Plated)

Part number: 311-509



Description	SMA Crimp Jack, Gold Plated
To Fit Cable Types	RG58, LBC195, LBC195 ExtraFlex, URM43
Fixing Method	Crimp
Body	Brass, Gold Plated
Contact	Beryllium Copper, Gold Plated
Dielectric	PTFE
Ferrule	Brass, Gold Plated
Cable Retention	Equal to breaking strain of cable
Dielectric Withstanding	1000 Volts RMS Maximum
Durability	500 mating cycles
Impedance	50 ohms
Max. Frequency	12.4 GHz
Temperature Range	-65 to +165 degrees C
Working Voltage	500 Volts RMS Maximum