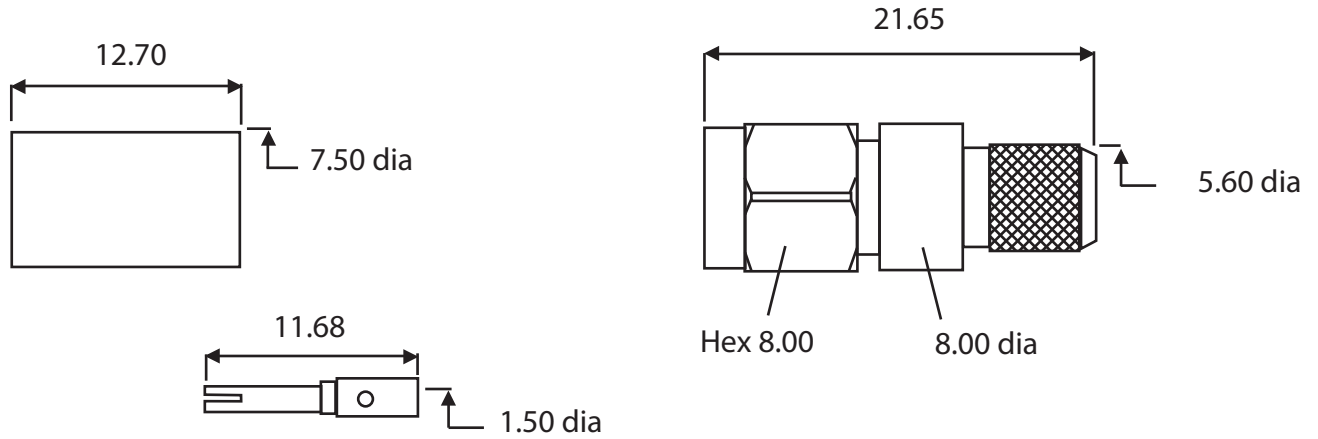


SMA reverse polarity straight crimp plug for LMR240, GBC240

Part number: 311-801



Description	SMA Reverse Polarity Crimp Plug
To Fit Cable Types	LMR240. GBC240
Fixing Method	Crimp
Body	Brass, Gold Plated
Contact	Beryllium Copper, Gold Plated
Coupling Nut	Brass, Gold Plated
Dielectric	PTFE
Ferrule	Brass, Gold Plated
Cable Retention	Equal to breaking strain of cable
Dielectric Withstanding	1000 Volts RMS Maximum
Durability	500 mating cycles
Impedance	50 ohms
Max. Frequency	12.4 GHz
Mating Torque	0.79 to 1.13NM (7-10 inch pounds)
Temperature Range	-65 to +165 degrees C
Working Voltage	500 Volts RMS Maximum

