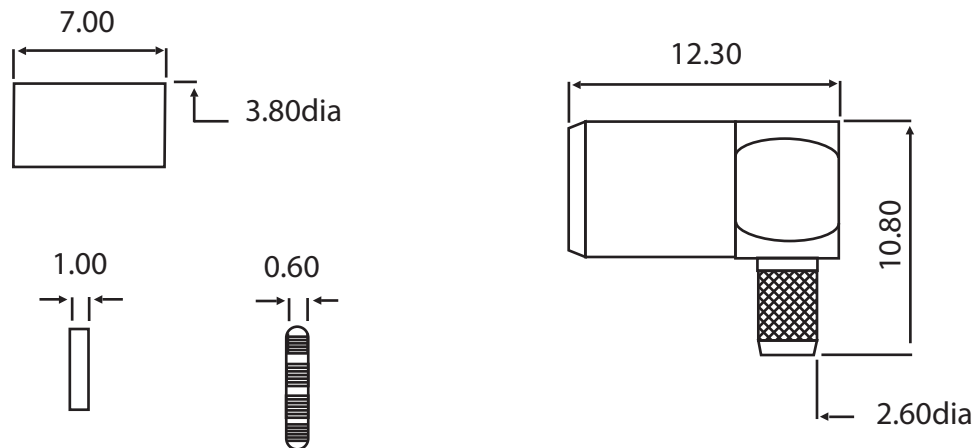


SMB Right Angle Crimp Plug For RG179) (75 Ohm)

Part number: 312-201



Description	SMB75 Crimp Right Angle Plug, Gold Plated
To Fit Cable Types	RG179, RG179PE
Fixing Method	Crimp
Body	Brass, Gold Plated
Contact	Beryllium Copper, Gold Plated
Dielectric	PTFE
Ferrule	Brass, Gold Plated
Cable Retention	Equal to breaking strain of cable
Dielectric Withstanding	750 Volts RMS Maximum
Durability	500 mating cycles
Impedance	75 ohms
Max. Frequency	2 GHz
Temperature Range	-65 to +165 degrees C
Working Voltage	335 Volts RMS Maximum

