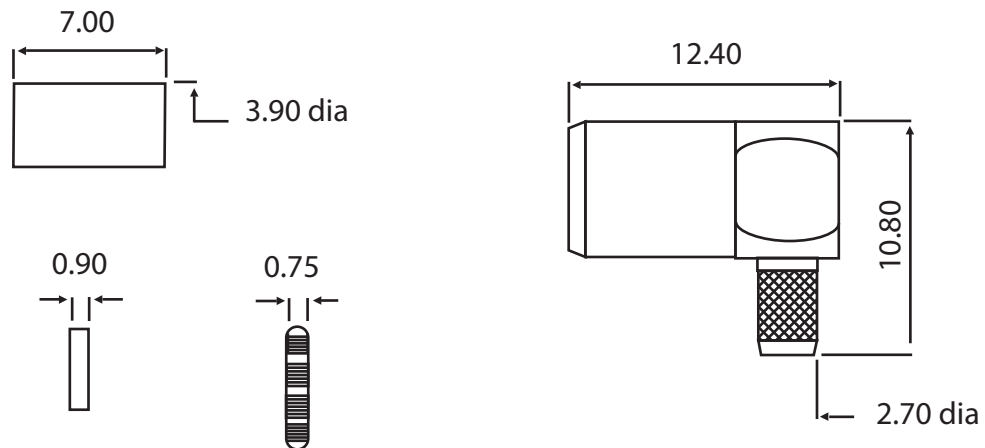


SMB Right Angle Crimp Plug For RG174 RG188 RG316 GBC100(Low Profile)

Part number: 312-205



Description	SMB Crimp Right Angle Plug, Low Profile
To Fit Cable Types	RG174 RG188 RG316 GBC100
Fixing Method	Crimp
Body	Brass, Gold Plated
Contact	Beryllium Copper, Gold Plated
Dielectric	PTFE
Ferrule	Brass, Gold Plated
Cable Retention	Equal to breaking strain of cable
Dielectric Withstanding	750 Volts RMS Maximum
Durability	500 mating cycles
Impedance	50 ohms
Max. Frequency	4 GHz
Temperature Range	-65 to +165 degrees C
Working Voltage	335 Volts RMS Maximum

