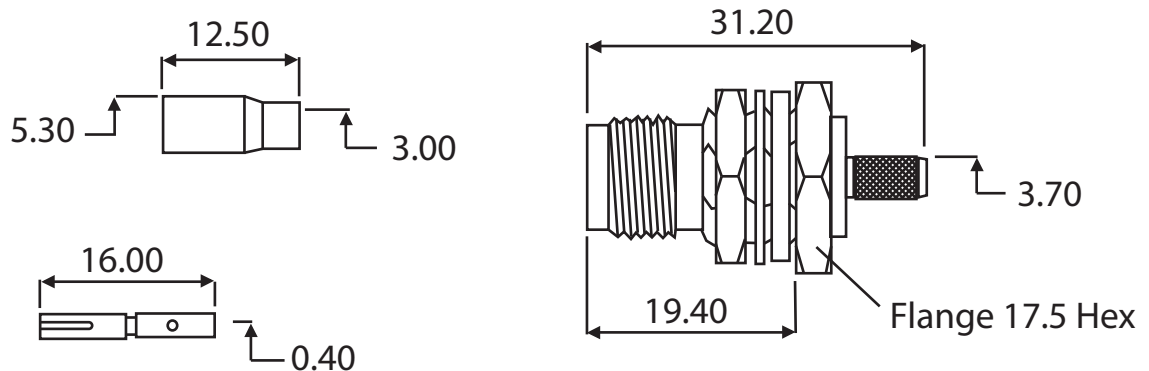


TNC Bulkhead Crimp Socket for RG179, RG187

Part number: 314-314



Description	TNC Crimp Bulkhead Socket, Hex. Flange
To Fit Cable Types	RG179 RG187 RG179PE
Fixing Method	Crimp
Body	Brass, Nickel Plated
Contact	Brass, Gold Plated
Dielectric	PTFE
Ferrule	Brass, Nickel Plated
Locknut	Brass, Nickel Plated
O Ring	Rubber
Washer	Steel, Nickel Plated
Cable Retention	Equal to breaking strain of cable
Dielectric Withstanding	1500 Volts RMS Maximum
Durability	500 mating cycles
Impedance	50 ohms
Max. Frequency	1 GHz
Temperature Range	-65 to +165 degrees C
Working Voltage	500 Volts RMS Maximum

