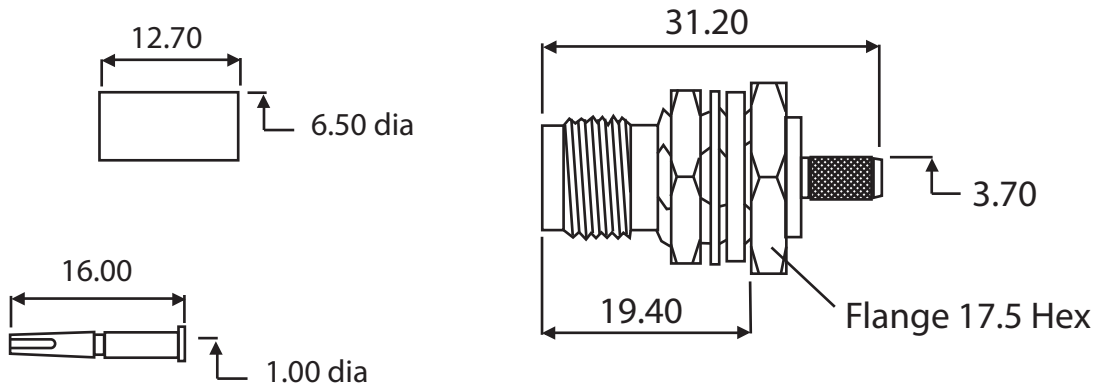


TNC Bulkhead Crimp Socket For RG58 URM43 GBC195

Part number: 314-317



Description	TNC Crimp Bulkhead Socket, Hex. Flange
To Fit Cable Types	RG58 URM43 GBC195, URM43
Fixing Method	Crimp
Body	Brass, Nickel Plated
Contact	Brass, Gold Plated
Dielectric	Delrin
Ferrule	Brass, Nickel Plated
Locknut	Brass, Nickel Plated
O Ring	Rubber
Washer	SS41, Nickel Plated
Cable Retention	Equal to breaking strain of cable
Dielectric Withstanding	1500 Volts RMS Maximum
Durability	500 mating cycles
Impedance	50 ohms
Max. Frequency	11 GHz
Temperature Range	-55 to +85 degrees C
Working Voltage	500 Volts RMS Maximum
Maximum Panel Thickness	5.5mm

