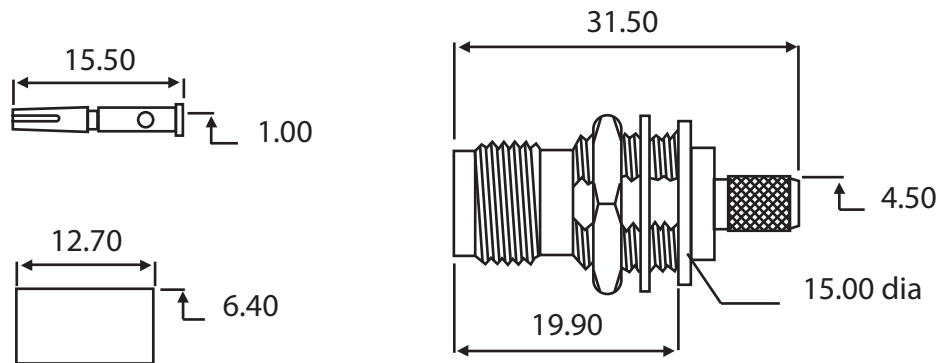


TNC bulkhead Crimp Socket For RG58, URM43, GBC195 (Circular flange)

Part number: 314-318



Description	TNC Crimp Bulkhead Socket, Circular Flange
To Fit Cable Types	RG58 URM43 GBC195
Fixing Method	Crimp
Body	Brass, Nickel Plated
Contact	Brass, Gold Plated
Dielectric	Delrin
Ferrule	Brass, Nickel Plated
Locknut	Brass, Nickel Plated
Washer	Steel, Nickel Plated
Cable Retention	Equal to breaking strain of cable
Dielectric Withstanding	1500 Volts RMS Maximum
Durability	500 mating cycles
Impedance	50 ohms
Max. Frequency	11 GHz
Temperature Range	-55 to +85 degrees C
Working Voltage	500 Volts RMS Maximum
Maximum Panel Thickness	5.0mm

