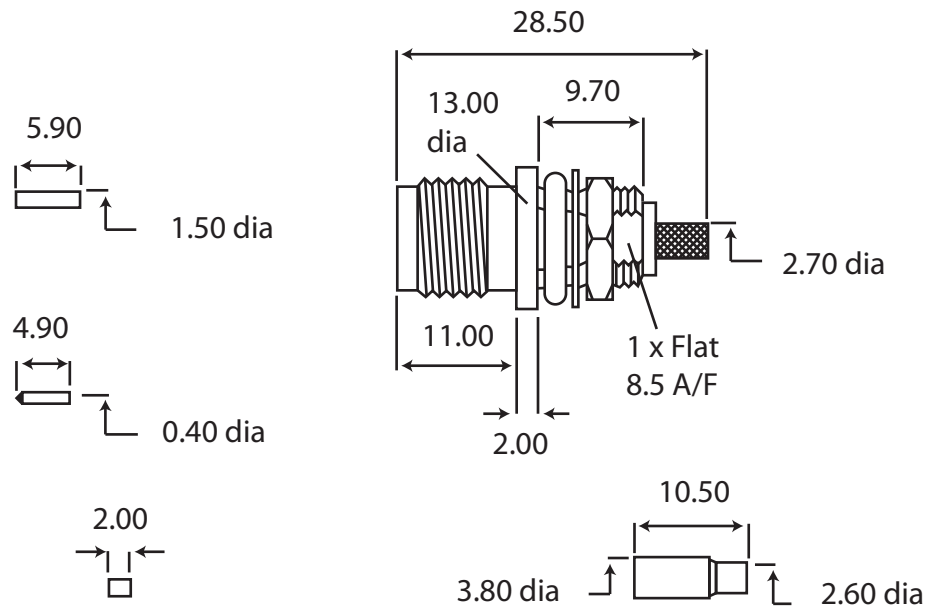


TNC Panel Crimp Socket For RG178 RG196

Part Number: 314-353



Description	TNC Crimp Panel Socket
To Fit Cable Types	RG178
Fixing Method	Crimp
Body	Brass, Nickel Plated
Coupling Nut	Brass, Nickel Plated
Dielectric	PTFE
Ferrule	Brass, Nickel Plated
Insulator	PTFE
O Ring	Rubber
Pin	Brass, Gold Plated
Tube	Brass, Nickel Plated
Cable Retention	Equal to breaking strain of cable
Dielectric Withstanding	1500 Volts RMS Maximum
Durability	500 mating cycles
Impedance	50 ohms
Max. Frequency	4 GHz
Temperature Range	-65 to +165 degrees C
Working Voltage	500 Volts RMS Maximum