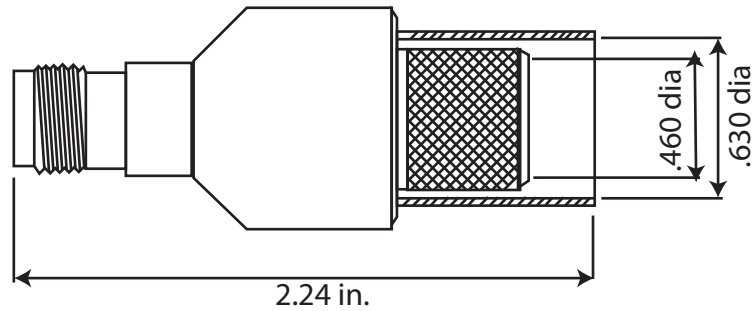


TNC Reverse Polarity Straight Crimp Socket For LMR600 (50 Ohm)

Part Number: 314-521



Materials and Finishes	
Center contact	Gold plated Beryllium copper
Outer Contact	Alballoy plated Brass
Body	Alballoy plated Brass
Coupling nut	Alballoy plated Brass
Crimp Sleeve	Alballoy plated Brass
Dielectric	Teflon PTFE
Gasket	Silicone Rubber
Shrink Sleeve	Adhesive lined polyolefin
Crimp size	.610"hex
Electrical Properties	
Impedance	50 Ohm
Working voltage	500Vrms (max)
VSWR	1.25:1(max) up to 3 GHz
Insertion loss	0.1 x \sqrt{F} ghz

