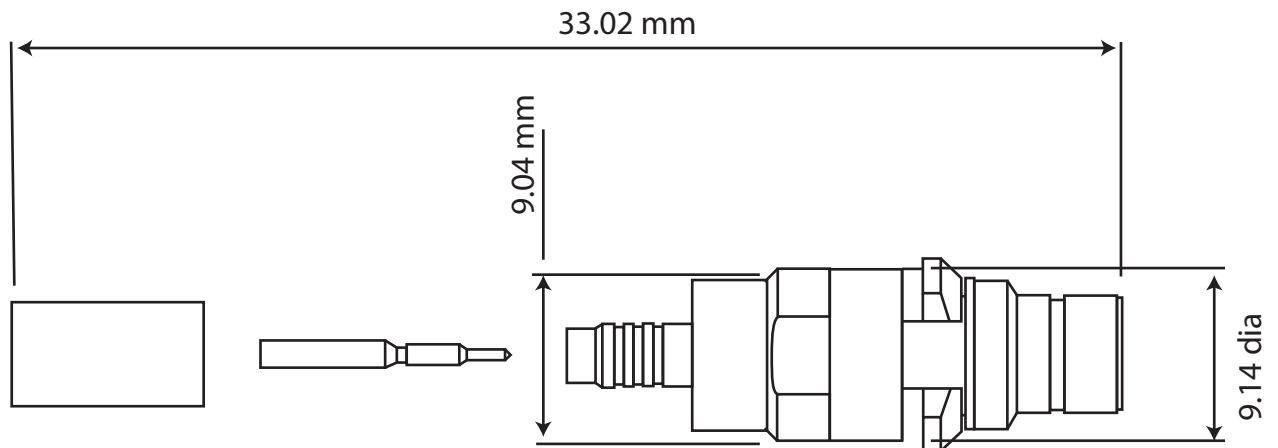


Type 43 Standard Density STD43 Straight Crimp Plug For RA8000
Part Number : 316-105



Electrical	
Impedance	75Ω nominal
Frequency Range	0 to 3.0
Working Voltage	500V
Proof Voltage	1500V
Insulation Resistance	5GΩ min
Center Contact Resistance	5.0m Ω max
Outer Contact Resistance	1.0mΩmax
Current Rating	1.5 A dc max
Materials	
Body Components	Copper or Zinc alloy
Center Contacts(Male/Female)	Copper alloy
Insulators	PTFE or Thermo set Plastics
Crimp Ferrules	Annealed Copper alloy
Finishing/Plating	
Center Contacts	Gold
Outer Contacts	Gold

