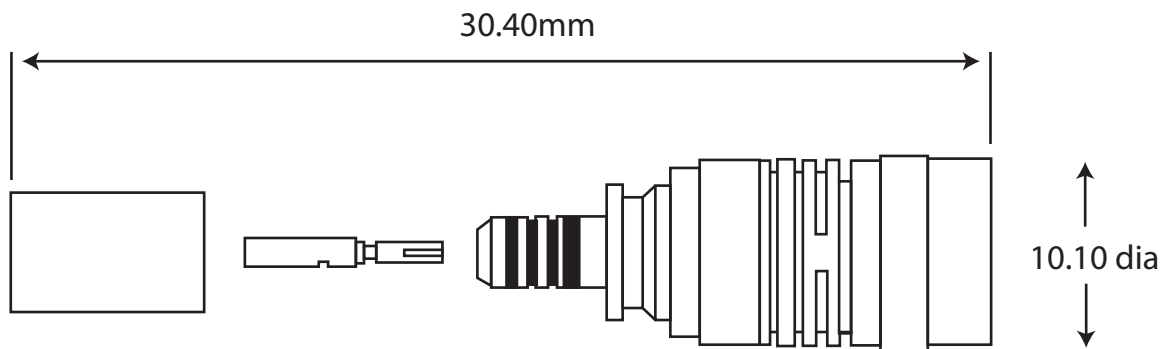


Type 43 Standard Density STD43 Straight Crimp Socket For BT2003 (75 Ohm)  
Part Number : 316-203



| <b>Electrical</b>                   |                             |
|-------------------------------------|-----------------------------|
| <b>Impedance</b>                    | 75Ω nominal                 |
| <b>Frequency Range</b>              | 0 to 3.0                    |
| <b>Working Voltage</b>              | 500V                        |
| <b>Proof Voltage</b>                | 1500V                       |
| <b>Insulation Resistance</b>        | 5GΩ min                     |
| <b>Center Contact Resistance</b>    | 5.0m Ω max                  |
| <b>Outer Contact Resistance</b>     | 1.0mΩmax                    |
| <b>Current Rating</b>               | 1.5 A dc max                |
| <b>Materials</b>                    |                             |
| <b>Body Components</b>              | Copper or Zinc alloy        |
| <b>Center Contacts(Male/Female)</b> | Copper alloy                |
| <b>Insulators</b>                   | PTFE or Thermo set Plastics |
| <b>Crimp Ferrules</b>               | Annealed Copper alloy       |
| <b>Finishing/Plating</b>            |                             |
| <b>Center Contacts</b>              | Gold                        |
| <b>Outer Contacts</b>               | Gold                        |

