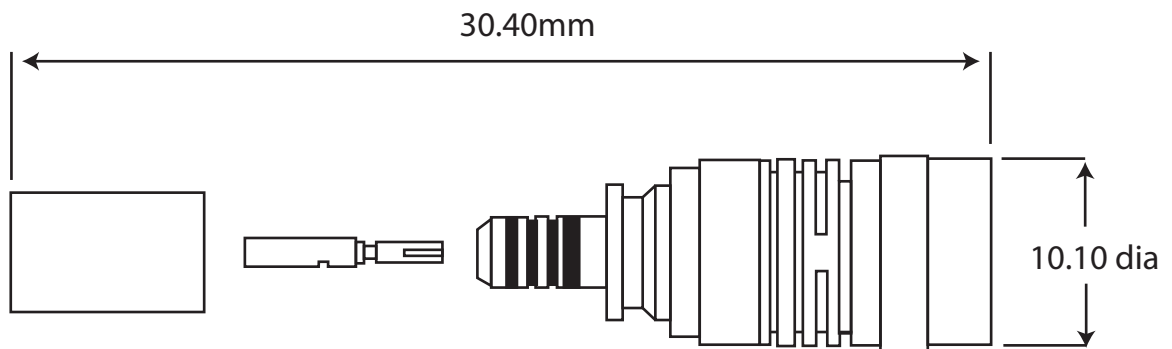


Type 43 Standard Density STD43 Straight Crimp Socket For RG179 (75 Ohm)  
Part Number : 316-206



<b>Electrical</b>	
<b>Impedance</b>	75Ω nominal
<b>Frequency Range</b>	0 to 3.0
<b>Working Voltage</b>	500V
<b>Proof Voltage</b>	1500V
<b>Insulation Resistance</b>	5GΩ min
<b>Center Contact Resistance</b>	5.0m Ω max
<b>Outer Contact Resistance</b>	1.0mΩmax
<b>Current Rating</b>	1.5 A dc max
<b>Materials</b>	
<b>Body Components</b>	Copper or Zinc alloy
<b>Center Contacts(Male/Female)</b>	Copper alloy
<b>Insulators</b>	PTFE or Thermo set Plastics
<b>Crimp Ferrules</b>	Annealed Copper alloy
<b>Finishing/Plating</b>	
<b>Center Contacts</b>	Gold
<b>Outer Contacts</b>	Gold

